

**Transition Damper ▲ 6½" Deep ▲ Airfoil Blades ▲ Parallel or Opposed ▲ Round and Oval Transition ▲ Extruded Aluminum**

**For use to 6 in. w.g. of static pressure**

**STANDARD MATERIALS AND CONSTRUCTION**

**FRAME:** 1½" x 6½" x 1½" extruded aluminum channel frame with a .080" thick (nominal) aluminum transition piece.

**BLADE:** Extruded aluminum, airfoil design.

**DRIVE SHAFT:** ½" dia. aluminum shaft, extended 7 inches beyond frame.

**BEARINGS:** Double-sealed.

**LINKAGE:** In jamb, out of air stream.

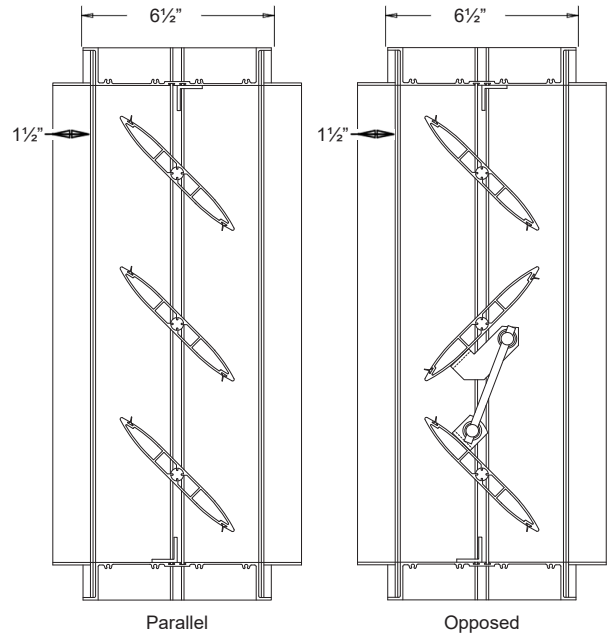
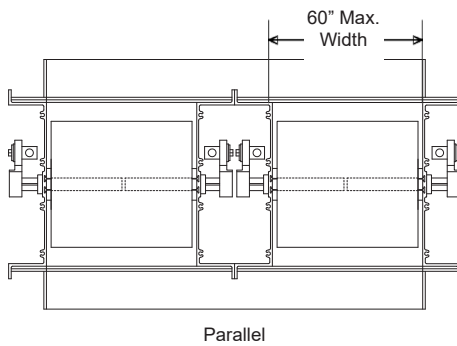
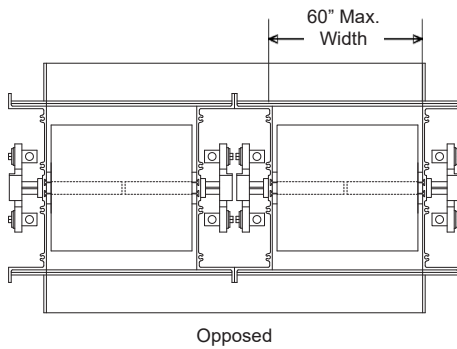
**FINISH:** Mill.

**NOTES**

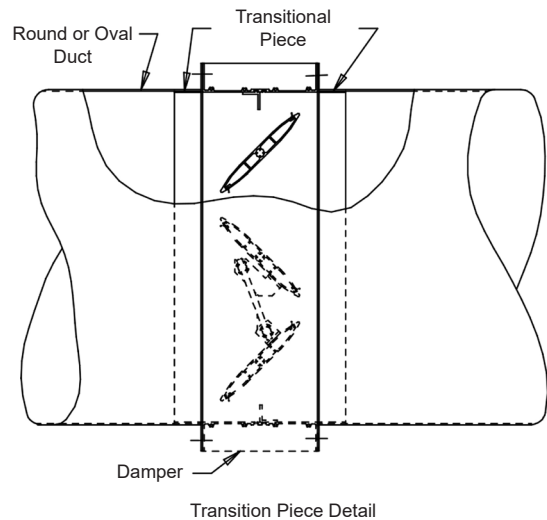
1. ¼" nominal deduction will be made to the opening size given.
2. Please specify blade position: Parallel or Opposed.
3. Approximate shipping weight is 7 lbs./sq.ft.

**DAMPER SIZES**

Min Size	Max Size
10"W x 10"H	60"W x 60"H



Not to scale.



Item #	Qty	Width	Height	Parallel	Opposed	Round	Oval	Union Made
		Damper Size (in.)		Blade Position		Transition Type		
<b>Arch. / Eng.:</b>				<b>EDR:</b>		<b>ECN:</b>		<b>Job:</b>
<b>Contractor:</b>								
<b>Project:</b>				<b>Date:</b>		<b>DWN:</b>		<b>DWG:</b>



Dampers ▲ Louvers  
UL Life Safety Products  
Division of Mestek  
Member of AMCA

airbalance.com

In the interest of product development, Air Balance reserves the right to make changes without notice.  
450 Riverside Dr • Wyalusing PA, 18853 • Phone 570-746-1888 • Fax 570-746-9286