

**Transition Damper ▲ 6½" Deep ▲ Airfoil Blades ▲ Parallel or Opposed ▲ Round and Oval Transition ▲ Extruded Aluminum**

**For use to 6 in. w.g. of static pressure**

**STANDARD MATERIALS AND CONSTRUCTION**

**FRAME:** 1½" x 6½" x 1½" extruded aluminum channel frame with a .080" thick (nominal) aluminum transition piece.

**BLADE:** Extruded aluminum, airfoil design.

**BEARINGS:** Double-sealed.

**LINKAGE:** In jamb, out of air stream.

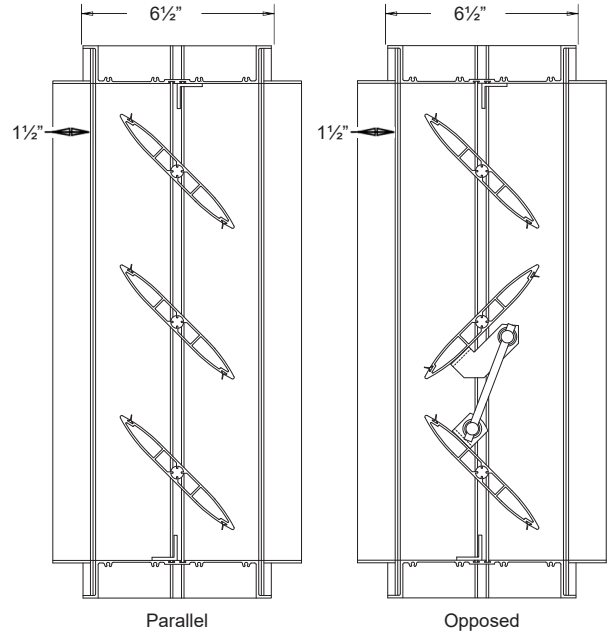
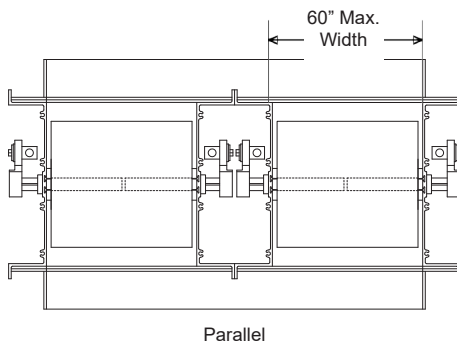
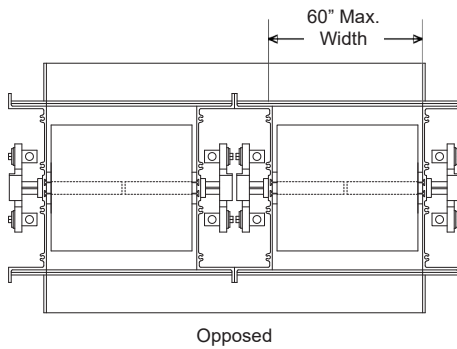
**FINISH:** Mill.

**NOTES**

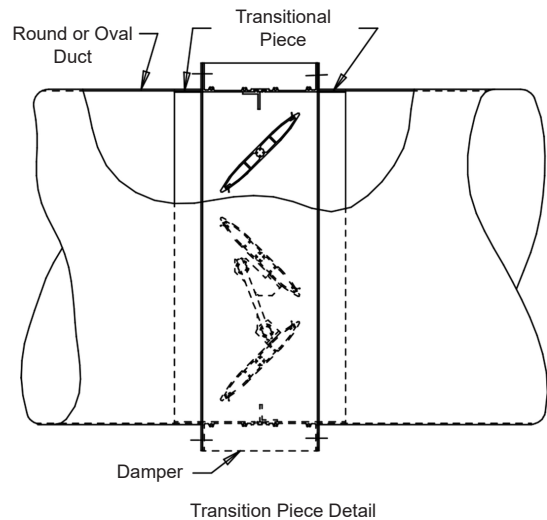
1. Nominal deductions will be made to the opening size given.
2. Please specify blade position: Parallel or Opposed.
3. Approximate shipping weight is 7 lbs./sq.ft.


**DAMPER SIZES**

Min Size	Max Size
10"W x 10"H	60"W x 60"H



Not to scale.



										
Item #	Qty	Width	Height	Parallel	Opposed	Round	Oval			
<b>Arch. / Eng.:</b>		<b>Damper Size (in.)</b>		<b>Blade Position</b>		<b>Transition Type</b>				<b>Union Made</b>
<b>Contractor:</b>				<b>EDR:</b>		<b>ECN:</b>		<b>Job:</b>		
<b>Project:</b>				<b>Date:</b>		<b>DWN:</b>		<b>DWG:</b>		