

STANDARD MATERIALS AND CONSTRUCTION

- FRAME:** Standard 5/8" x 2" x 5/8" formed Type 304, 16 GA. stainless steel channel.
- BLADES:** 26 GA. Type 304 stainless steel, formed over a 3/16" dia. stainless steel rod.
- SEALS:** Polyurethane foam at blade edges, none at jambs.
- BEARINGS:** Bronze oilite.
- LINKAGE:** 18 GA. Type 304 stainless steel chevron bracket with a 22 GA. Type 304 steel linkage bar.

OPTIONS

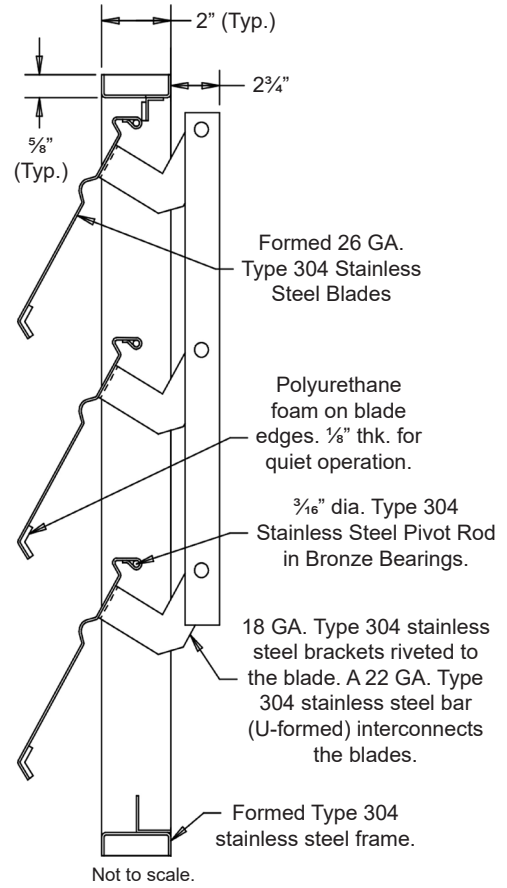
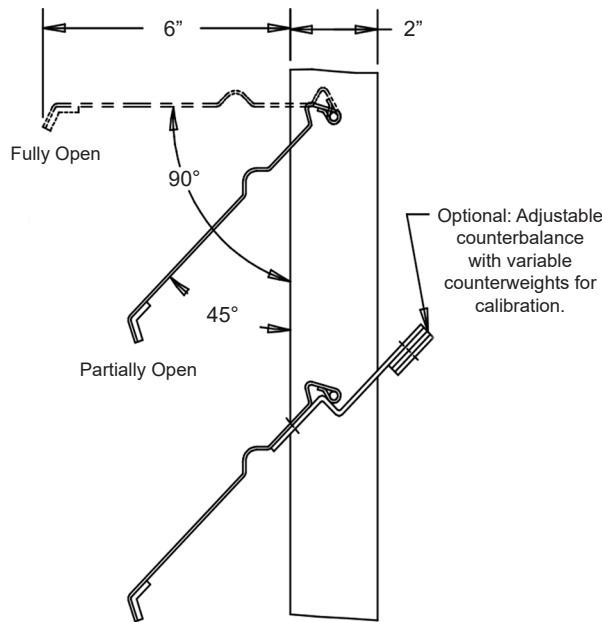
- No blade-to-blade linkage.
- Adjustable counterweights to assist or resist opening.
- Various types of bird and insect screens.

NOTES

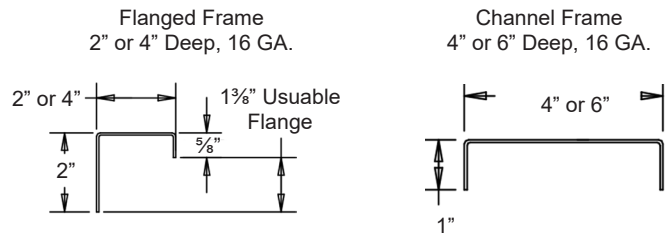
1. Nominal deductions will be made to the opening size given.
2. For counterweights, please specify airflow direction (horizontal, vertical up, or vertical down) and whether to the counterweight should assist or resist the damper opening.
3. Approximate damper weight is 3.5 lbs./sq.ft.

DAMPER SIZES

Min Panel	Max Single Panel
8"W x 8"H	36"W x 60"H



Optional Frames



Item #	Qty	Width	Height	Width	Height	Mullion	Counter Balance	Air Flow (Direction)	Union Made
		Opening Size		Damper Size					
Arch. / Eng.:						EDR:	ECN:	Job:	
Contractor:									
Project:						Date:	DWN:	DWG:	



PERFORMANCE DATA

