

## Extruded Aluminum Louver ▲ 4" Deep ▲ Drainable Baffle Blades ▲ Adjustable ▲ Concealed Actuator

### STANDARD MATERIALS AND CONSTRUCTION

**FRAME:** .081" thk. (nominal) extruded aluminum, 6063-T52/T6 alloy. Channel type.

**BLADE:** .081" thk. (nominal) extruded aluminum 6063-T52/T6 alloy. Blades are approximately 4" on centers.

**LOUVER FACE:** Full width sill with drain head and non-drain blades contained within drain jambs.

**SHAFT:** .50" dia aluminum "Pin-Lock" rod.

**BEARINGS:** Celcon bearing material so that there will be no metal to metal friction.

**LINKAGE:** Extruded aluminum, concealed in the channel out of the airstream. The pivots, which rotate in Celcon bearings, are .50" dia. plated and machined steel. The pivot is locked to the 5/16" dia. aluminum linkage rod by a 1/4 - 20 set screw with epoxy locking patch.

**SEALS:** Extruded silicone rubber seals at blade edge. Polyurethane at jambs.

**SCREEN:** (When indicated, in a removable frame)  
1/2" flattened aluminum, .051" thk.,

-or- 1/2" sq. mesh intermediate double crimped aluminum wire, .063" dia.,

-or- 1/16" aluminum mesh insect screen, .011" dia.

**FINISH:** Mill.

**ACTUATOR:** 120 VAC spring return normally closed.  
133 in.-lbs. torque.

### OPTIONS

Finishes - Enamels, Epoxies, etc.

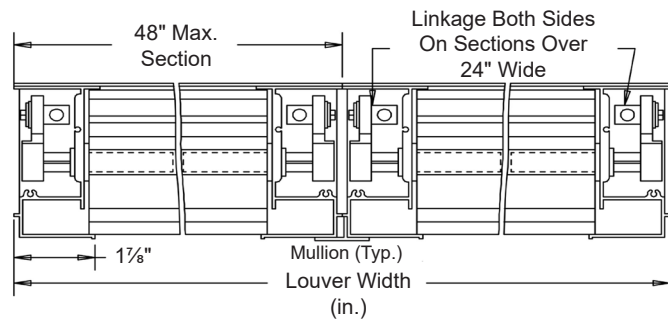
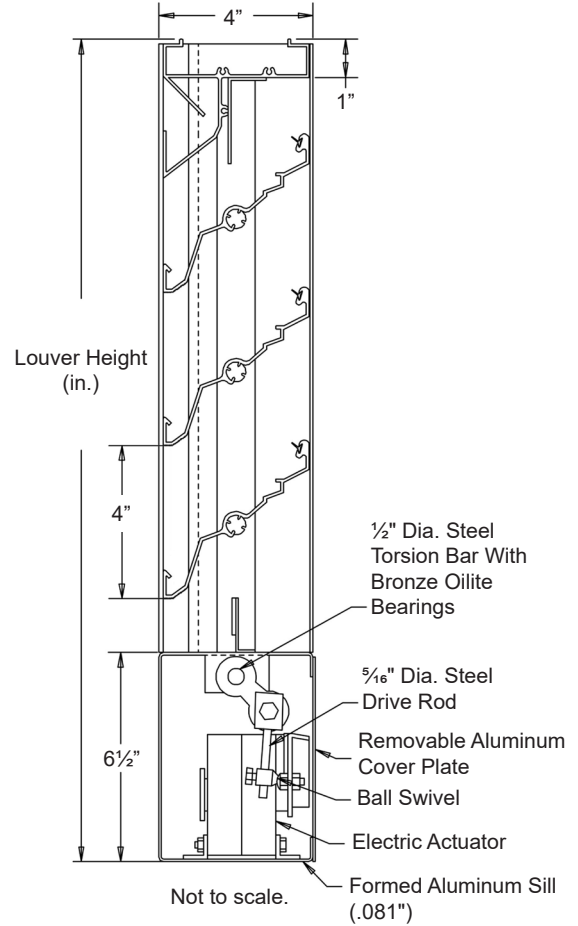
Other screens also available.

### NOTES

- 1/2" nominal deduction will be made to the opening size given.
- Approximate shipping weight is 5.0 lbs./sq.ft.

### LOUVER SIZES

Min Panel	Max Single Panel
12"W x 19"H	48"W x 96"H



Item #	Qty	Width	Height	Width	Height	Mullion	Type	Location	
		Opening Size		Louver Size					
Arch. / Eng. :						EDR:		ECN:	Job:
Contractor:									
Project:						Date:		DWN:	DWG:



**Union Made**