

STANDARD MATERIALS AND CONSTRUCTION

FRAME: .081" thick (nominal) extruded aluminum, 6063-T52/T6 alloy.

BLADE: .081" thick (nominal) extruded aluminum, 6063-T52/T6 alloy.
Blades approximately 3" on center.

LOUVER FACE: Full width sill, with blades and head contained in jambs.

SCREEN: (When indicated.)

½" flattened aluminum (.051" thick),

-or- ½" sq. mesh, intermediate double-crimped aluminum wire, .063" dia.,

-or- 19/16 mesh, .011" dia. aluminum wire, insect screen.

FINISH: Mill

OPTIONS

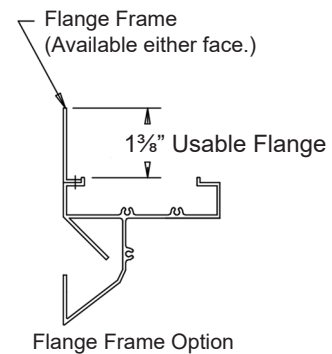
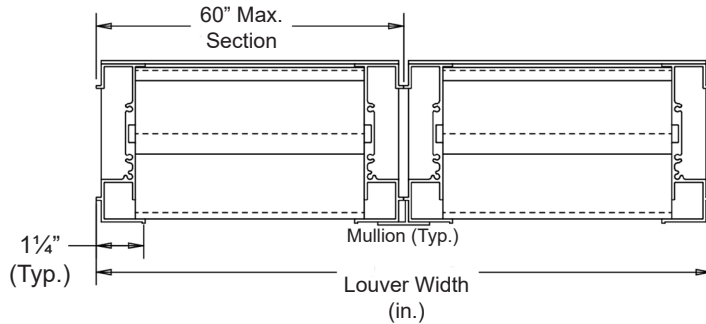
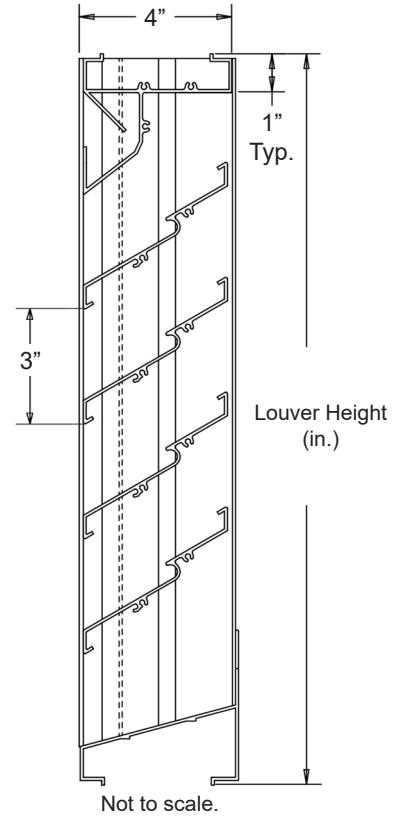
Finish - Baked Enamel, Kynar, Anodize

NOTES

1. ½" nominal deduction will be made to the opening size given.
2. Approximate shipping weight is 5.2 lbs./sq.ft.

LOUVER SIZES

| Min Panel | Max Single Panel |
|-------------|------------------|
| 12"W x 12"H | 60"W x 96"H |



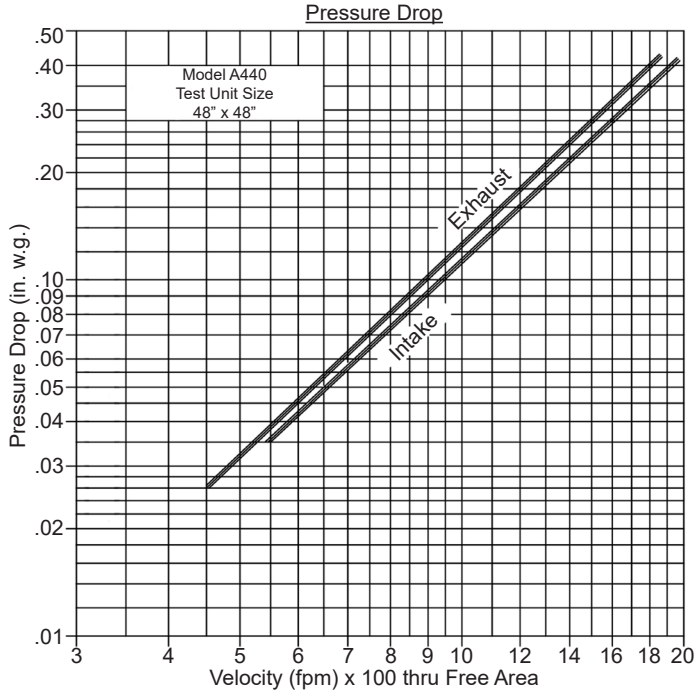
| Item # | Qty | Width | Height | Width | Height | Mullion | Type | Location | Union Made |
|----------------|-----|--------------|--------|-------------|--------|---------|---------|----------|------------|
| | | Opening Size | | Louver Size | | | Screens | | |
| Arch. / Eng. : | | | | | | EDR: | ECN: | Job: | |
| Contractor: | | | | | | | | | |
| Project: | | | | | | Date: | DWN: | DWG: | |



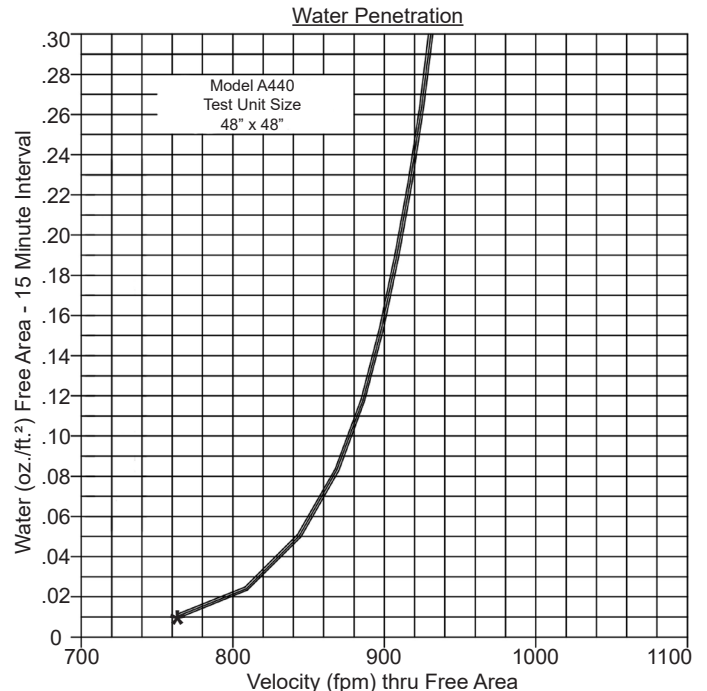
PERFORMANCE DATA

Pressure Drop: .08 in. w.g. at 780 fpm (Intake)
 Free Area: 7.66 sq.ft. = 47.9% for 48"W x 48"H sample tested in accordance with AMCA Standard 500-L.
 Beginning Point of Water Penetration: 763 fpm

Ratings do not include effects of a screen.



Intake air converted to standard air density.
 Tested to AMCA Standard 500-L, Figure 5.5.



763 (FPM) Beginning Point of Water Penetration

Free Area (sq.ft.)

| | | Width (in.) | | | | | | | | |
|--------------|-----|-------------|------|------|------|-------|-------|-------|-------|-------|
| | | 12" | 18" | 24" | 30" | 36" | 42" | 48" | 54" | 60" |
| Height (in.) | 12" | .32 | .51 | .71 | .91 | 1.10 | 1.30 | 1.50 | 1.70 | 1.89 |
| | 24" | .74 | 1.21 | 1.68 | 2.15 | 2.62 | 3.08 | 3.55 | 4.02 | 4.49 |
| | 36" | 1.17 | 1.91 | 2.65 | 3.39 | 4.13 | 4.87 | 5.61 | 6.35 | 7.08 |
| | 48" | 1.60 | 2.61 | 3.62 | 4.63 | 5.64 | 6.65 | 7.66 | 8.67 | 9.68 |
| | 60" | 2.03 | 3.31 | 4.59 | 5.87 | 7.15 | 8.43 | 9.71 | 10.99 | 12.28 |
| | 72" | 2.46 | 4.01 | 5.56 | 7.11 | 8.66 | 10.22 | 11.77 | 13.32 | 14.87 |
| | 84" | 2.89 | 4.71 | 6.53 | 8.35 | 10.18 | 12.00 | 13.82 | 15.64 | 17.47 |
| | 96" | 3.32 | 5.41 | 7.50 | 9.60 | 11.69 | 13.78 | 15.88 | 17.97 | 20.06 |