

Backdraft Damper ▲ 7½" Deep ▲ Single Thickness Blade ▲ Round Frame ▲ Aluminum ▲ -35°F to 180°F Temperature

STANDARD MATERIALS AND CONSTRUCTION

- FRAME:** .080" thk. (nominal) aluminum, 7½" deep.
- BLADE:** .080" thk. (nominal) aluminum, reinforced for frames over 18" dia.
- AXLE:** ½" dia. aluminum, continuous.
- BEARINGS:** Flange oilite bronze.
- SEALS:** On frame, ¼" thick closed cell neoprene. Temperature range is -35°F to 180°F.
- FINISH:** Mill.

OPTIONS

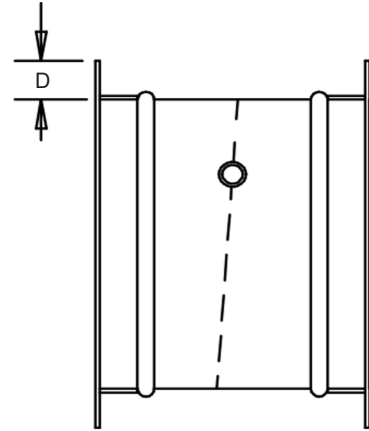
Counter balance - mounted to blade or installed on extended shaft.

NOTES

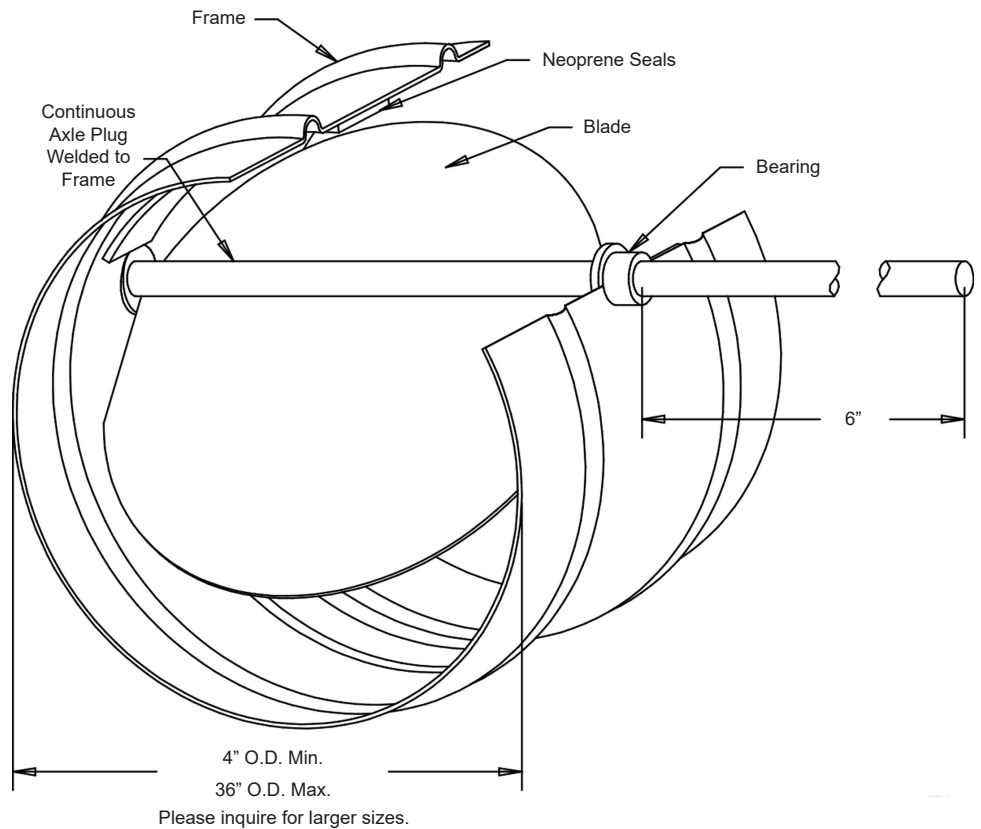
1. Nominal deductions will be made to the opening size given.
2. Please contact the factory for damper sizes larger than 36" diameter.
3. When ordering a counter balance, please specify type: assist or resist opening.
4. Damper sizes of 12" dia. and less shall have a counter balance located on an extended shaft only.
5. To calculate approximate shipping weight (lbs./in.), use following formula:
 Damper Circumference (Diameter [in.] × 3.141) × 0.5

DAMPER SIZES


Minimum Size	Maximum Size
4" O.D.	36" O.D.



Equal leg angles are available. They are welded to frames at intermittent spacing and caulked between welds. Flange Height "D" varies with damper diameter.



Please inquire for larger sizes.

Item #	Qty	Damper Size O.D.	Assist	Resist	Remarks	 Union Made
			Counter Balance			
Arch. / Eng.:			EDR:		ECN:	Job:
Contractor:						
Project:			Date:		DWN:	DWG: