

**STANDARD MATERIALS AND CONSTRUCTION**

**FRAME:** .125" thick (nominal) extruded aluminum, 6063-T52/T6 alloy.

**BLADE:** .125" thick (nominal) extruded aluminum, 6063-T52/T6 alloy.  
Blades approximately 4" on centers.

**LOUVER FACE:** Full width sill with head and blades contained within jambs.  
Welded construction.

**SCREEN:** (When indicated, in a removable frame.)

- ½" flattened aluminum (.051" thick),
- or- ½" sq. mesh, intermediate double-crimped aluminum wire, .063" dia.,
- or- 19/16 mesh, .011" dia. aluminum wire, insect screen.

**FINISH:** Mill

**TEST METHODS**

Passed the following Miami-Dade County Florida Test Protocols:

- TAS (PA) 201
- TAS (PA) 202
- TAS (PA) 203

**OPTIONS**

Finish - Baked Enamel, Kynar, Anodize  
Extended Sill

**NOTES**

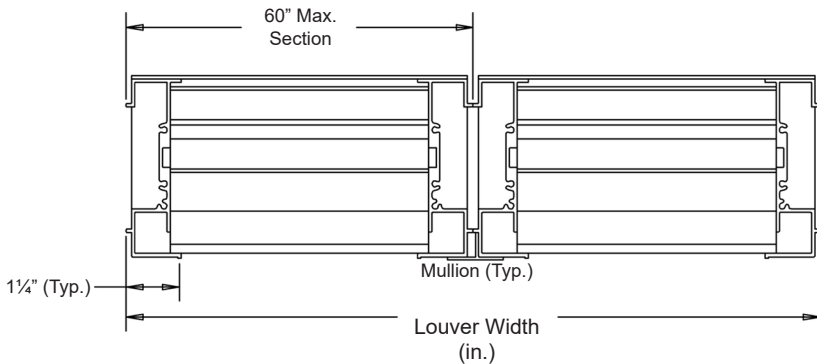
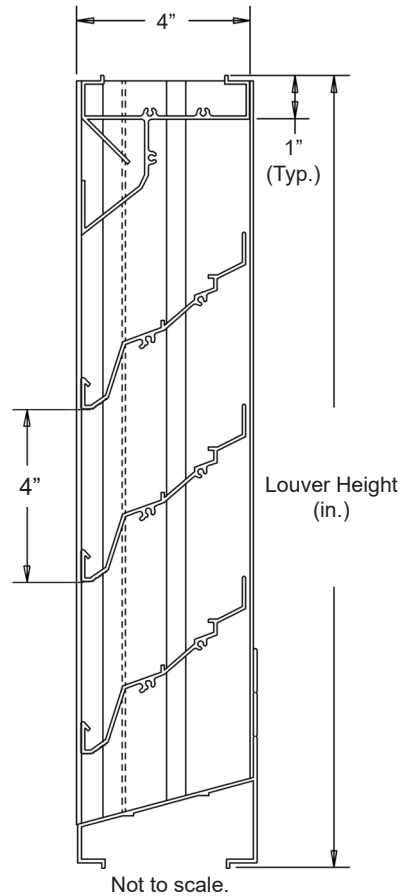
1. ½" nominal deduction will be made to the opening size given.
2. Approximate shipping weight is 6.0 lbs./sq.ft.


**LOUVER SIZES**

Min Panel	Max Single Panel
12"W x 12"H	60"W x 96"H

Windload requirements may limit panel sizes.

**Withstands pressures up to 150± PSF.**



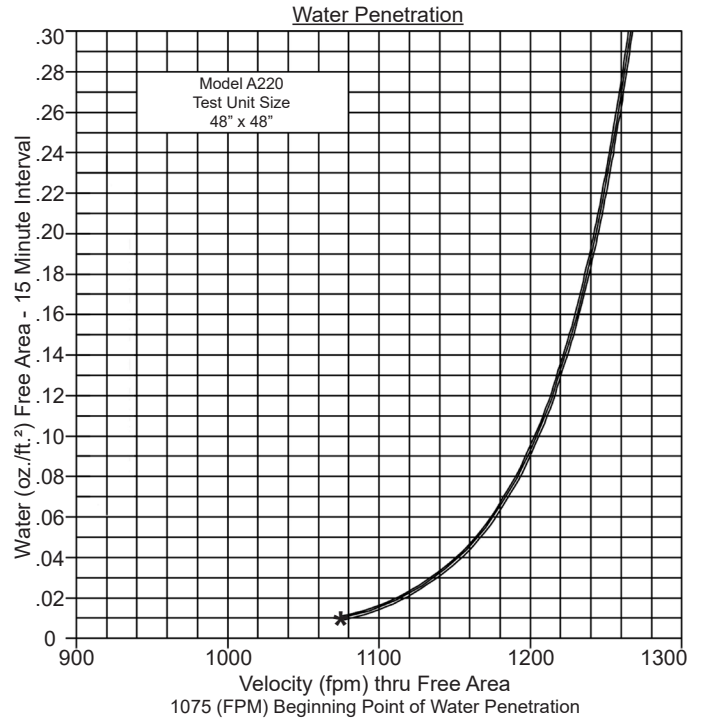
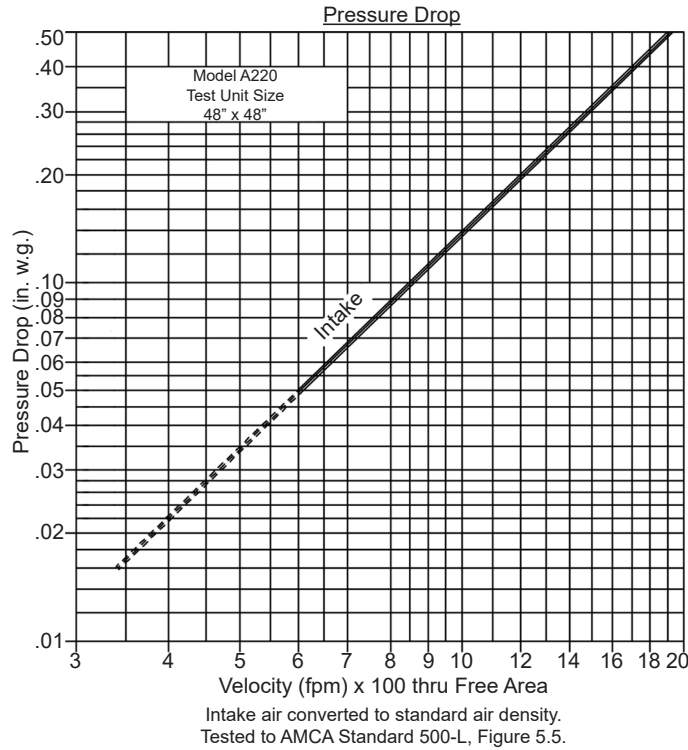
										
<b>Item #</b>	<b>Qty</b>	<b>Width</b>	<b>Height</b>	<b>Width</b>	<b>Height</b>	<b>Mullion</b>	<b>Type</b>	<b>Location</b>		
		<b>Opening Size</b>		<b>Louver Size</b>			<b>Screens</b>			<b>Union Made</b>
<b>Arch. / Eng. :</b>						<b>EDR:</b>		<b>ECN:</b>		<b>Job:</b>
<b>Contractor:</b>										
<b>Project:</b>						<b>Date:</b>		<b>DWN:</b>		<b>DWG:</b>

**PERFORMANCE DATA**

Pressure Drop: .15 in. w.g. at 1000 fpm (intake)  
 Free Area: 8.37 sq.ft. = 52% for 48"W x 48"H sample tested in accordance with AMCA Standard 500-L.

Beginning Point of Water Penetration: 1075 fpm

Ratings do not include effects of a screen.



**Free Area (sq.ft.)**

		Width (in.)								
		12"	18"	24"	30"	36"	42"	48"	54"	60"
Height (in.)	12"	.31	.50	.70	.90	1.09	1.29	1.48	1.68	1.87
	24"	.81	1.31	1.82	2.33	2.84	3.35	3.86	4.36	4.87
	36"	1.30	2.12	2.94	3.77	4.59	5.41	6.23	7.05	7.87
	48"	1.80	2.93	4.07	5.20	6.34	7.47	8.37	9.74	10.87
	60"	2.29	3.74	5.19	6.64	8.08	9.53	10.98	12.43	13.88
	72"	2.79	4.55	6.31	8.07	9.83	11.59	13.35	15.12	16.88
	84"	3.28	5.36	7.43	9.51	11.58	13.65	15.73	17.80	19.88
	96"	3.78	6.17	8.55	10.94	13.33	15.72	18.10	20.49	22.88



Air Balance certifies that the Model A220 shown herein is licensed to bear the AMCA seal. The ratings shown are based on tests and procedures performed in accordance with AMCA Publication 511 and comply with the requirements of the AMCA Certified Ratings Program. The AMCA Certified Ratings Seal applies to Water Penetration and Air Performance Ratings only.

## INSTALLATION DETAILS

