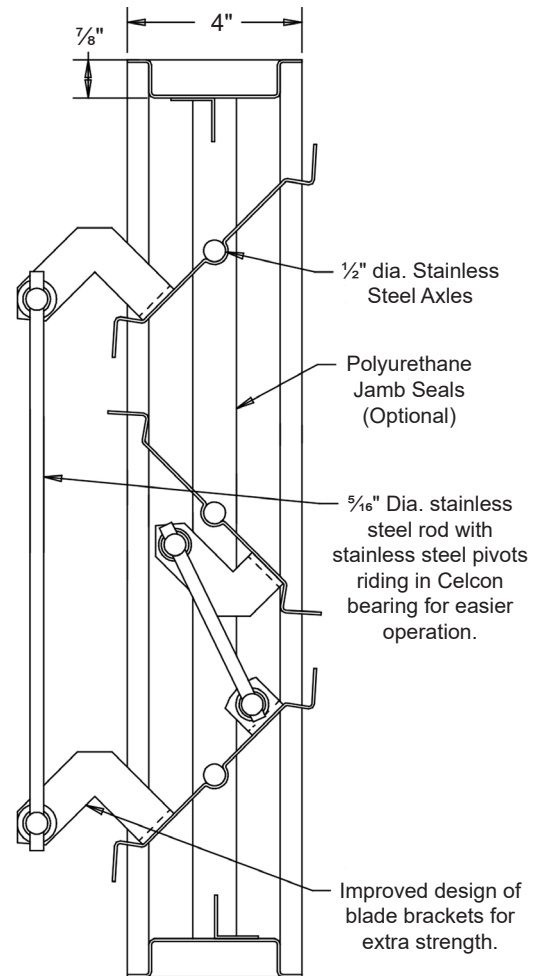


STANDARD MATERIALS AND CONSTRUCTION

- FRAME:** 18 GA. stainless steel hat-shaped channel for greater rigidity and strength. 4" deep.
- BLADE:** 18 GA. stainless steel. Maximum 6" spacing.
- LINKAGE:** 1/8" thick (nominal) stainless steel chevron type formed bracket.
- BEARINGS:** Press fit stainless steel, flanged sleeve type.
- AXLES:** 1/2" dia. stainless steel.
- DRIVESHAFT:** 1/2" dia. stainless steel. Extendable 6" beyond frame.
- SEALS:** Optional. Read Options - Seals for details.
- ALLOY:** Type 304 (2B Finish) standard. See Options - Other Alloy for more details
- FINISH:** Mill.



OPTIONS

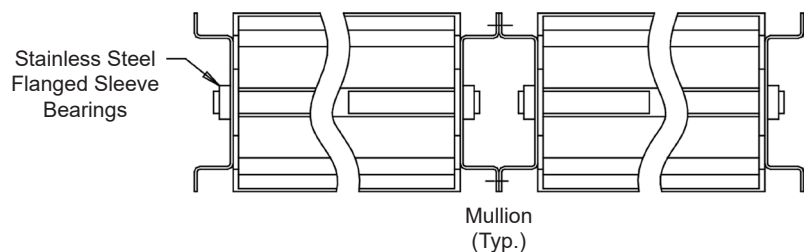
- Drive Shafts - Extendable to 8" beyond frame, more than 8" using exterior bearing support
- Seals - Available with neoprene jamb and blade edge seals, or stainless steel jamb seals, or polyurethane jamb and blade seals.
- Uni-Mount Brackets - For all internally mounted pneumatic or electric operators, galvanized steel construction. Specify type and N.O. or N.C.
- Bearings - Bronze, Nylon, Celcon, Ball, etc.
- Jackshifting - Carbon steel (painted) is standard. Stainless steel is available.
- Other Alloy - Type 316 stainless steel, 2B finish.
- Wider Frame - Frames wider than 4".
- Flanged Frame
- Mixing/Face & Bypass Dampers

NOTES

1. Nominal deductions will be made to the opening size given.
2. Dampers less than 11 1/4" high will have a single blade.
3. Shipping weight is approximately 6.5 lbs./sq.ft.

DAMPER SIZES

Panels	Min Panel	Max Single Panel
Parallel Blade	6"W x 8 3/4"H	48"W x 96"H
Opposed Blade	6"W x 8 3/4"H	48"W x 96"H



Item #	Qty	Width	Height	Parallel Blades	Opposed Blades	Seals	Actuator Model	Interior	Exterior	N.C.	N.O.	Union Made
								Act. Location		Function		
Arch. / Eng.:						EDR:		ECN:		Job:		
Contractor:												
Project:						Date:		DWN:		DWG:		



Dampers ▲ Louvers
UL Life Safety Products
Division of Mestek
Member of AMCA

airbalance.com

In the interest of product development, Air Balance reserves the right to make changes without notice.
450 Riverside Dr • Wyalusing PA, 18853 • Phone 570-746-1888 • Fax 570-746-9286