

STANDARD MATERIALS AND CONSTRUCTION

- FRAME:** 16 GA. galvanized steel hat-shaped channel, 4" deep.
- BLADE:** 16 GA. galvanized steel, maximum 6" spacing, maximum length 48".
- LINKAGE:** Pivots are 1/2" dia. plated steel. A 1/4-20 set screw with locking patch locks the pivots to a .31" dia. aluminum rod. Pivots rotate in a celcon bearing. Blade brackets are 12 GA. plated steel. Blade linkages are individually factory adjusted for maximum shut-off.
- BEARINGS:** Oilite Bronze.
- AXLES:** 1/2" dia. plated steel.
- DRIVE SHAFT:** 1/2" dia. plated steel, extendable 6" beyond frame.
- SEALS:** Polyurethane for blade and jamb.
- FINISH:** Mill.

OPTIONS

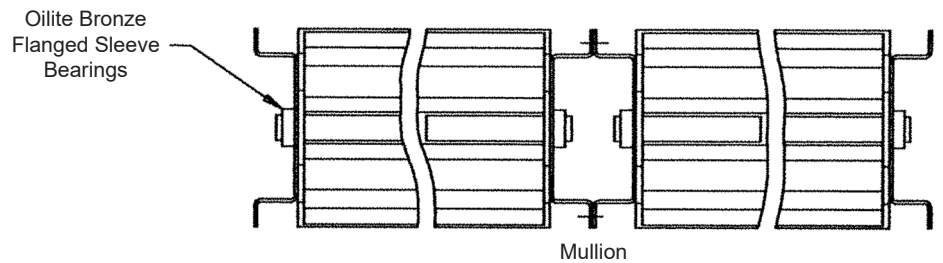
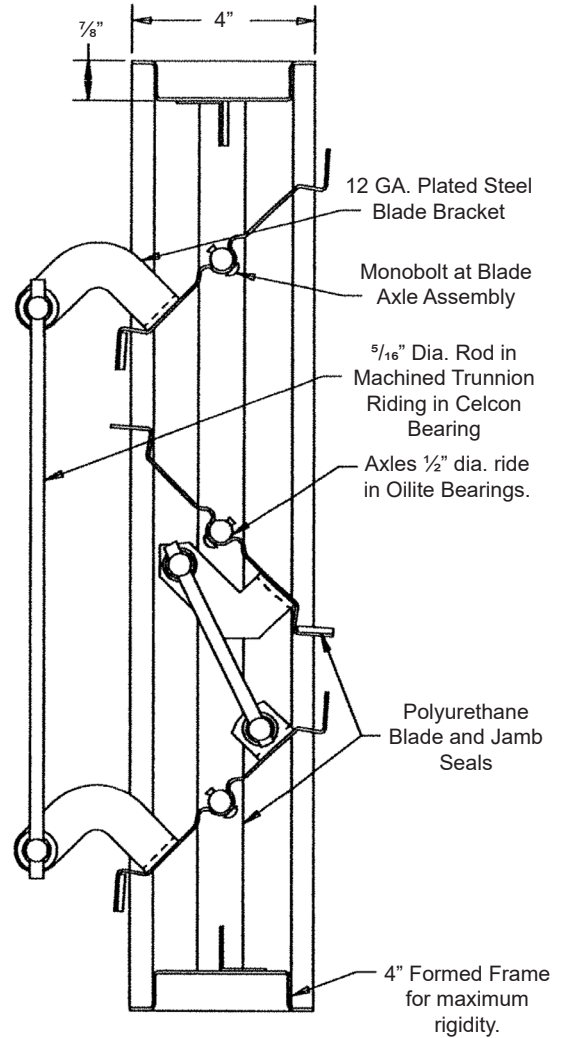
- Flanged Frames
- Jamb Seal - Neoprene
- Concealed Linkage
- Mixing Face & Bypass Dampers

NOTES

1. 1/4" nominal deduction will be made to the opening size given.
2. Dampers less than 11" high will be a single blade.
3. Dampers between the height of 11" and 14 3/4" will have two blades, opposed action only.
4. Dampers less than 8 3/4" in height will be provided with a 5/8" x 2" x 5/8" extruded aluminum frame.
5. Dampers are rated for systems up to 2000 fpm or up to 4 in. w.g. Please advise when ordering for applications beyond this threshold.
6. Approximate shipping weight is 6 1/2 lbs per sq.ft.

DAMPER SIZES

Panels	Min Panel	Max Single Panel
Parallel	6"W x 8 3/4"H	48"W x 96"H
Opposed	6"W x 8 3/4"H	48"W x 96"H



Item #	Qty	Damper Size		Parallel Blades	Opposed Blades	Seals	Actuator Model	Act. Location		Function		Union Made
		Width	Height					Interior	Exterior	N.C.	N.O.	
Arch. / Eng.:						EDR:		ECN:		Job:		
Contractor:												
Project:						Date:		DWN:		DWG:		

PERFORMANCE DATA

Pressure Drop Tests are based on AMCA Standard 500 using test set-up Figure 5.3 for dampers installed with duct upstream and downstream. Static Pressures are corrected to .075 lb/cu.ft. air density.

Model A1770 - Parallel - 24"W x 24"H I.D.
Pressure Drop vs. Duct Velocity

Duct Velocity (fpm)	100	200	300	400	500	600	700	800	900	1000	1250	1500	1750	2000	3000	4000	6000
1/4 Open	-	-	-	.40	.60	.85	1.20	1.50	1.90	2.30	3.50	5.00	-	-	-	-	-
1/2 Open	-	.025	.052	.088	.13	.18	.25	.33	.42	.50	.80	1.20	1.60	2.10	4.40	-	-
3/4 Open	-	-	-	-	.032	.045	.060	.078	.10	.12	.18	.26	.36	.46	1.10	1.80	-
Full Open	-	-	-	-	-	.014	.018	.024	.032	.037	.056	.078	.11	.14	.30	.52	-

Pressure Drop (in. w.g.)

Model A1770 - Opposed - 24"W x 24"H I.D.
Pressure Drop vs. Duct Velocity

Duct Velocity (fpm)	100	200	300	400	500	600	700	800	900	1000	1250	1500	1750	2000	3000	4000	6000
1/4 Open	-	-	.65	1.15	1.75	2.40	3.30	4.25	5.25	6.50	-	-	-	-	-	-	-
1/2 Open	-	-	.145	.26	.40	.575	.79	1.00	1.30	1.70	2.50	3.60	4.75	6.30	-	-	-
3/4 Open	-	-	-	-	.059	.080	.115	.145	.18	.22	.345	.475	.65	.85	1.75	-	-
Full Open	-	-	-	-	-	.016	.020	.026	.031	.039	.059	.085	.12	.15	.34	.58	1.20

Pressure Drop (in. w.g.)