

Ceiling Radiation Damper ▲ Two Insulated Blades ▲ Rectangular Frame ▲ For Static Systems ▲ Galvanized Steel

STANDARD MATERIALS AND CONSTRUCTION

- FRAME:** 22-GA galvanized steel, one piece, 2¹/₂" standard depth.
- BLADES:** 22-GA galvanized steel.
- INSULATION:** ½" thick gypsum.
- FUSIBLE LINK:** 165°F.
- SPRING:** Extension type.
- FINISH:** Mill.

OPTIONS

- 212°F Fusible Link
- Thermal Blanket
- Top Extension (see chart below)
- Bottom Extension (see chart below)
- Top and Bottom Extension (see chart below)

NOTES

1. The larger dimension is always the width, and is parallel to the blades.
2. Dampers are provided ¼" undercut on 1" increments.
 - Standard ¼" undercut:
 - A. For installation where the damper is to be installed inside a steel duct.
 - B. For lay-in installation where the damper is to be installed directly into the tee bar grid of the ceiling.
 - Optional Exact Size (No undercut) :
 - For surface mount ductless installation, where the damper is to be installed over the neck of a grille or lay-in diffuser.
3. This ceiling damper is used to provide the required fire and heat radiation protection of HVAC penetrations of floor, ceiling and roof-ceiling assemblies with restrained or unrestrained assembly Fire Resistance Ratings of 2 hour or less, in accordance with UL-263. Standard fire dampers (1½ hr. and 3 hr.) do not provide the necessary heat radiation protection. Ceiling dampers are also called Ceiling Fire Dampers, Radiation Dampers, and Radiation Shields. See our UL-Approved Installation Instructions for various installation requirements and procedures. Approved ceiling designs are illustrated by design number in UL's Fire Resistance Directory.

UNDERWRITERS LABORATORIES INC.®

CLASSIFIED STATIC CEILING DAMPER
FIRE RESISTANCE RATING 2 HR

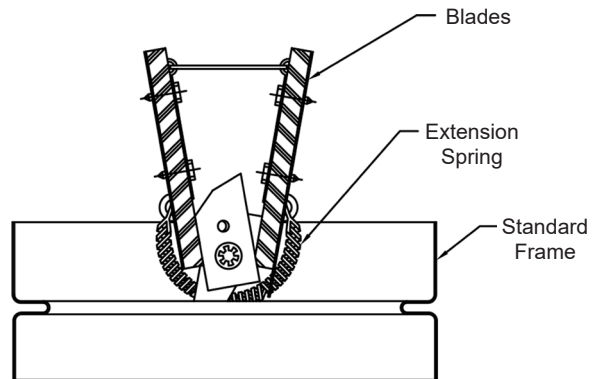
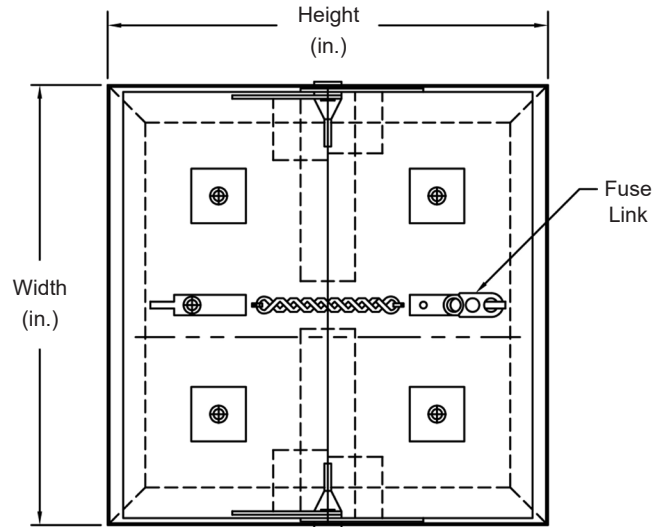


FILE # R11235



This ceiling radiation damper meets the construction and performance requirements of:

- Underwriters Laboratories Inc. Standards 555C
- National Fire Protection Association Standards 90A and 101
- New York City MEA Listing #110-99-M
- California State Fire Marshal Listing #3226-1328:105
- 1 hour Combustible Ceiling Assemblies
- 1 hour and 2 hour Non-Combustible Ceiling Assemblies



DAMPER SIZES

| Horizontal (Ceiling) Mount Only | |
|---------------------------------|-----------------------------|
| Min Panel | Max Panel |
| 11"W x 6"H | 18"W x 18"H (324 sq.in.) |

FRAME EXTENSION CHART

| Min Panel | Heights: 5¾" - 10" | Heights: 10¾" - 14" | Heights: 14¾" - 18" |
|-------------------------|-----------------------|------------------------|------------------------|
| Top Extensions | 9¼" | 9¼" | 10¾" |
| Bottom Extensions | 6⅞" | 6⅞" | 6⅞" |
| Top & Bottom Extensions | 9¼" | 10¾" | 12¾" |

| Item # | Qty | Damper Size | Top | Bottom | 165°F | 212°F | Union Made |
|---------------|-----|-------------|------------|--------|--------------|-------|------------|
| | | | Extensions | | Fusible Link | | |
| Arch. / Eng.: | | EDR: | | ECN: | | Job: | |
| Contractor: | | Date: | | DWN: | | DWG: | |



Dampers ▲ Louvers
UL Life Safety Products
Division of Mestek
Member of AMCA

airbalance.com

In the interest of product development, Air Balance reserves the right to make changes without notice.

450 Riverside Dr • Wyalusing PA, 18853 • Phone 570-746-1888 • Fax 570-746-9286