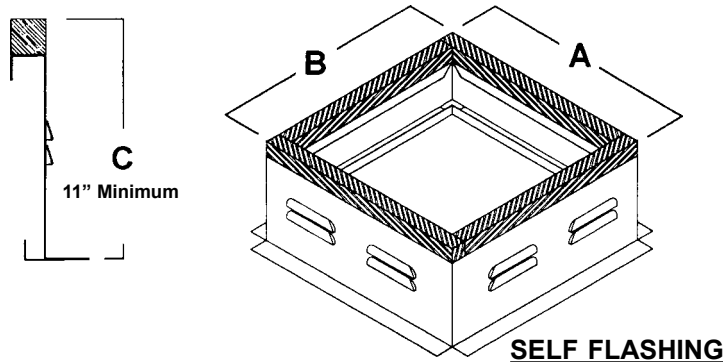
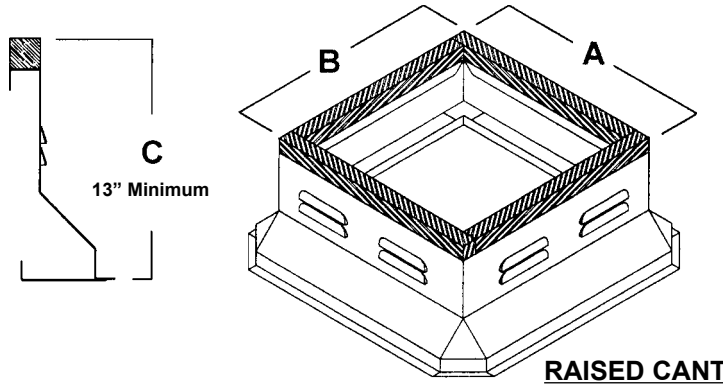
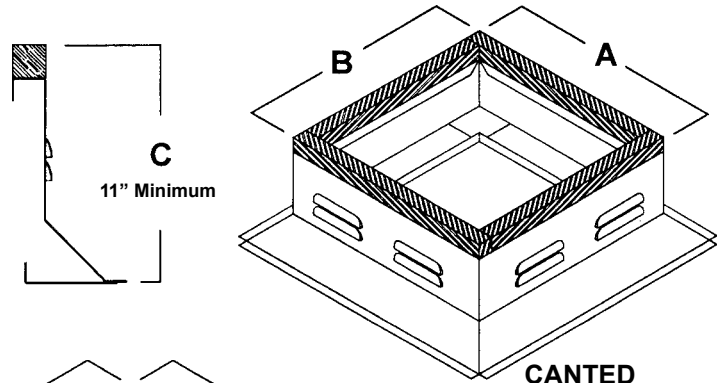


STANDARD CONSTRUCTION

- All curb models are available with louvered vents.
- Louvered vents are 6" wide x 7/8" high, spaced at 1/2" with 4 louvers per side.
 - Free area per louver is 1-1/2 square inches.
 - Curb models with insulation as standard will not be insulated to eliminate interference with the airflow through the louvered vent.
 - If either dimension exceeds 90", multisection construction may be required.



Qty.	'A'	'B'	'C'	Options / Accessories	Tag

PROJECT: _____
 LOCATION: _____
 ARCHITECT: _____
 ENGINEER: _____
 CONTRACTOR: _____
 PO NUMBER: _____
 DATE: _____