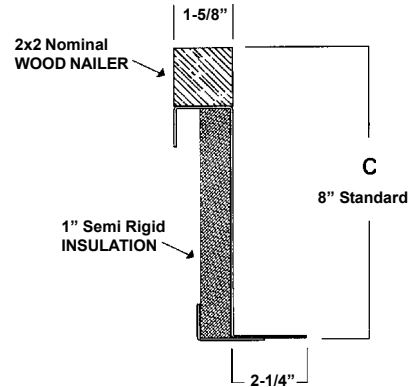
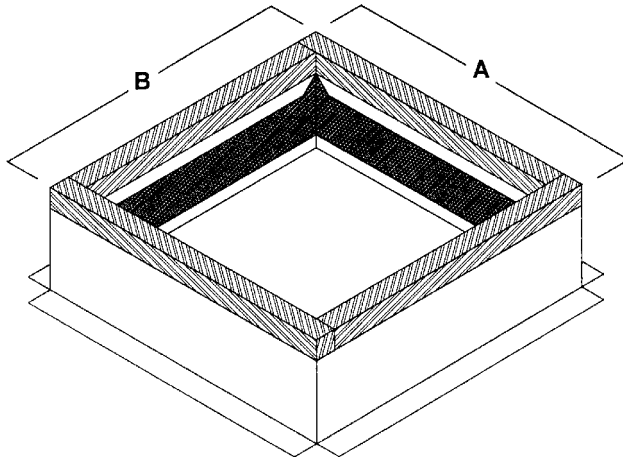


MODEL CSF
SELF-FLASHING/INSULATED
FORMED STEEL ROOF CURB



Qty.	'A'	'B'	'C'	Options / Accessories	Tag

STANDARD CONSTRUCTION

- Fabricated of 18 gauge galvanized steel shell and base plate. All seams are fully welded and sprayed with protective coating.
- 1" Semi-rigid fiberglass insulation.
- Factory installed nominal 2 x 2 wood nailer for equipment mounting is mechanically fastened to upper curb perimeter.
- Mill finish is standard.
- If either dimension exceeds 90" multisection construction may be required.

PROJECT: _____
 LOCATION: _____
 ARCHITECT: _____
 ENGINEER: _____
 CONTRACTOR: _____
 PO NUMBER: _____
 DATE: _____

OPTIONS / ACCESSORIES

- MATERIAL**
Steel products are available in various gauges of galvanized, galvaneal, or stainless.
- PITCHED OR PEAKED**
All units are available as pitched or peaked. In conjunction with the overall unit dimensions, both the height rise, specified in linear inches per foot (e.g. 3" in 12") and the direction of the pitch must be specified.
- LINERS**
A liner may be used for retention of insulation or as support to strengthen large units that will support a heavy load. Liners are manufactured as an integral part of the product to add maximum structural support.
- CORNERS**
Solid welded corners may be added to the self flashing flange on the bottom of the curb.
- PLATFORM CAP**
A 3/4" plywood top with a metal cap fabricated of the same material as the product.
- GASKET**
1/4" thick polyurethane foam gasket can be installed, lining the entire top perimeter. Gasket can be used in place of, or in addition to a wood nailer.
- INSULATION**
Curbs are available with 2" semi-rigid insulation instead of the standard 1".
- ACCESS PANELS**
To provide a passageway to internal equipment, an access opening is cut and lined with a protective vinyl edge seal and the cover panel is mechanically fastened over the opening. Minimum height restrictions apply.
- LOUVERED VENTS**
To provide an airflow through the curb, units are available with 6" wide x 7/8" high louvered vents, with 4 per side. Minimum height restrictions apply.
- DAMPER RACK**
For mounting of dampers in the curb, a damper rack can be installed. The rack is located in the bottom of the curb and a damper is then mounted on top of the rack. Damper and/or rack flange dimensions must be specified.
- SECURITY BARS**
Selections of bar diameters, frame styles, and spacing are available.
- FINISHES**
A wide selection of finishes including baked enamel, epoxy, or prime coat.