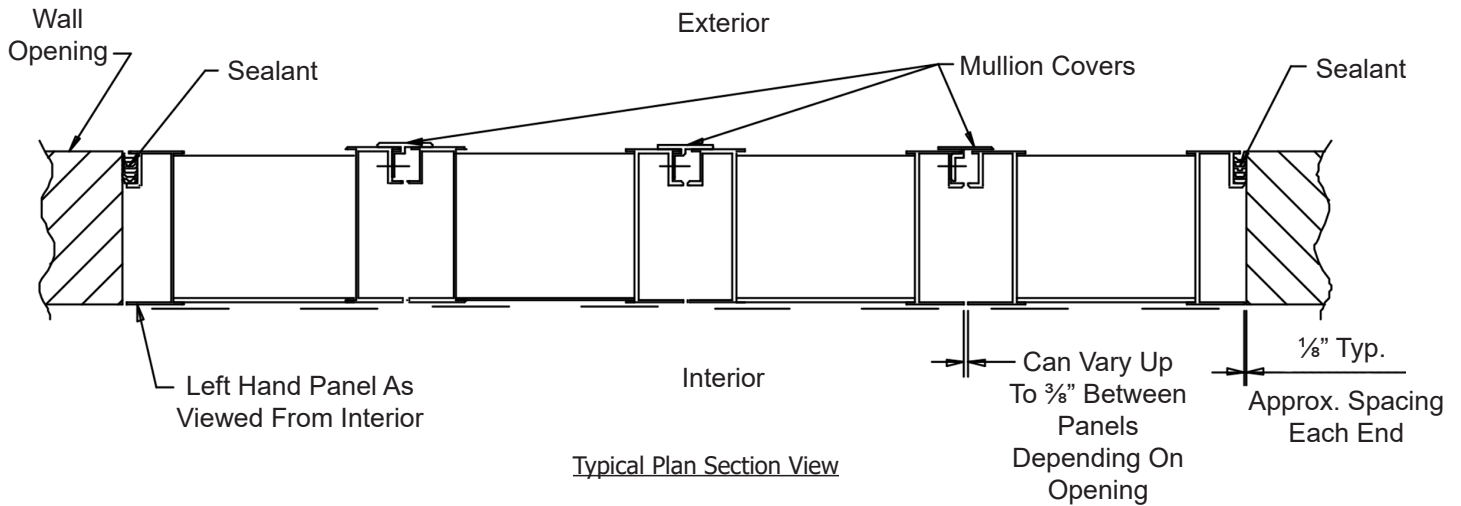


## STANDARD MULLIONS

### Multi-wide Louvers with Vertical Mullion Covers



When installing from the interior side of the opening, the right hand side of each louver panel will have a mullion cover attached except for the far right unit.

Install units left to right facing the interior side of the assembly.

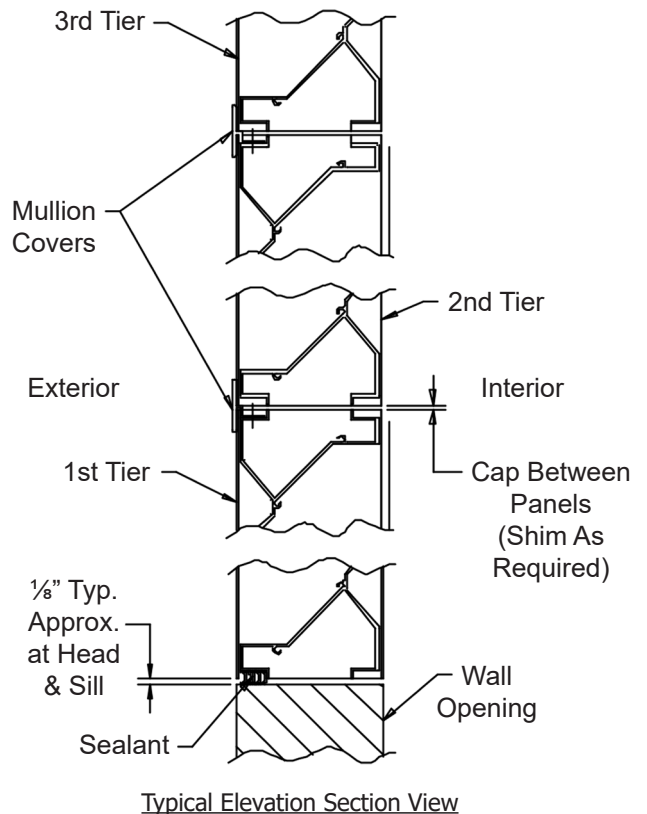
Mullion covers are not required to be fastened to overlapping units.

### Multi-high Louvers with Horizontal Mullion Covers

Horizontal mullion covers are attached at the head of each louver in the assembly, except for the top-most louver.

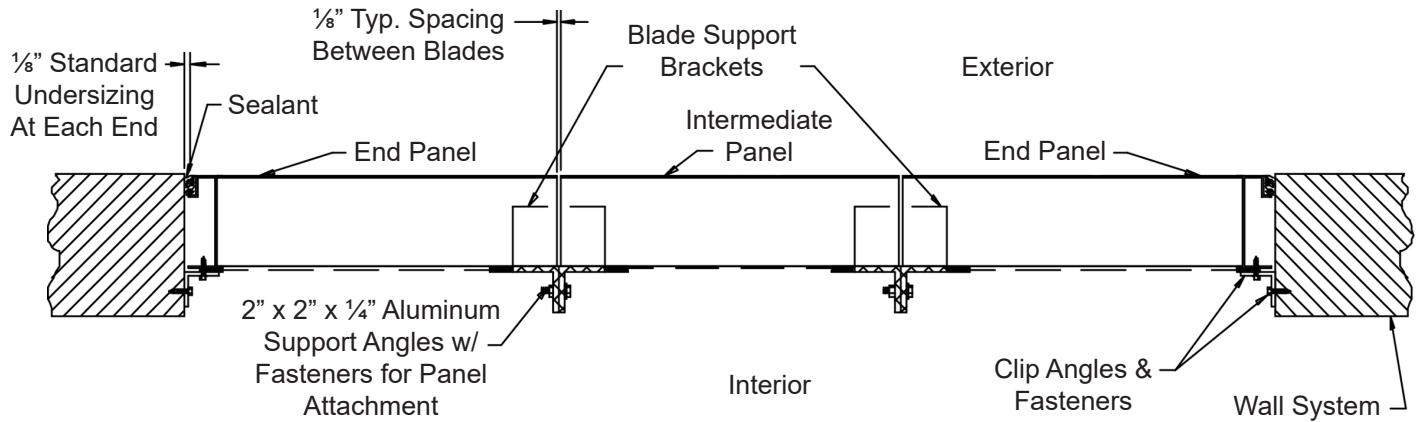
Each mullion cover will overlap with the louver above it. For example, the first tier mullion cover will overlap with the second tier. The second tier mullion cover will overlap with the third tier, and so on. The top tier unit will not receive a mullion cover.

Openings that require multiple louver panels in both width and height will require internal structural supports. It is recommended that large openings be divided with structural members so that the louvers will span either width or height with a single panel. Unusually high wind loads will require structural supports. Mounting supplies are not supplied as a standard.



## HIDDEN MULLIONS

### Multi-wide Louvers with Vertical Mullion



Typical Plan Section View

When installing from the interior side of the opening, the end panels are fabricated with visible jamb sections on one end and a blade support angle on the other. All intermediate panels will have blade support angles located on the interior. This gives a continuous blade appearance from the exterior.

Install one end panel first by mounting clip angles and fasteners between the louver and the wall system around the interior perimeter. Install adjacent intermediate panels by bolting panels together at 2" x 2" x 1/4" support angles with the fasteners provided by MCDLG. Each intermediate panel also needs to be mounted to the opening at both head and sill frame members. After installing all intermediate panels, install the opposite end panel to complete the assembly with the mounting clips and fasteners provided.

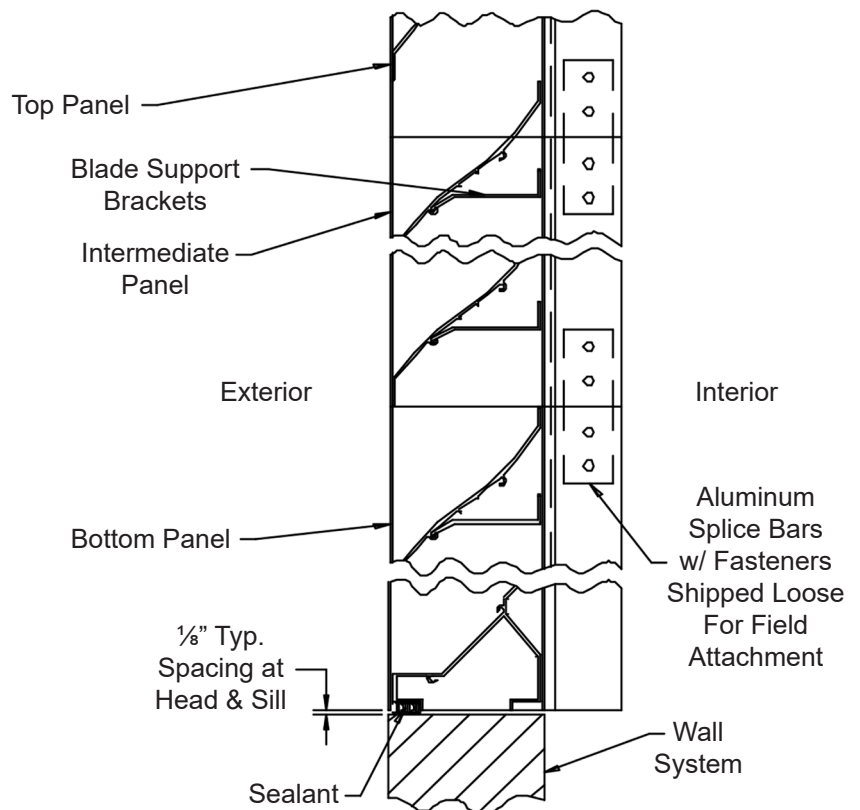
### Multi-high Louvers with Horizontal Mullion

All bottom panels have a sill frame member and no head member.

All intermediate panels have no head or sill frame members.

All top panels have a head frame member and no sill member.

Assemble panels from bottom to top by attached splice bars to the 2" x 2" x 1/4" support angles and/or 1 1/2" x 1 1/2" x 1/8" intermediate stiffener angles. Each panel needs to be individually fastened around the outer perimeter to the opening for proper installation.



Typical Elevation Section View