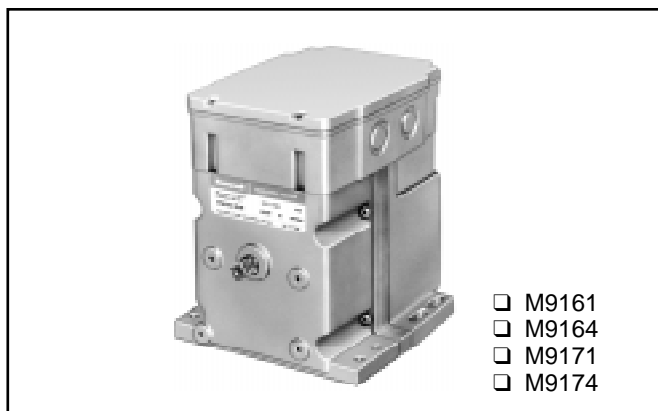


M9161, M9164, M9171, M9174 Modutrol IV™ Motors

SPECIFICATION DATA



APPLICATION

These Modutrol® Motors are reversing, proportional motors used to operate valves or dampers in electric (Series 90) modulating circuits.

FEATURES

- Replace M934 Motors.
- Oil immersed motor and gear train for reliable performance and long life.
- Wiring box provides NEMA 3 weather protection.
- Quick-connect terminals standard—screw terminal adapter available.
- Adapter bracket for matching shaft height of older motors is standard with replacement motors.
- Die-cast aluminum housing.
- Internal auxiliary switches are available factory mounted or can be field added to TRADELINE® models.
- Field addable interface modules can be mounted in wiring box to upgrade actuator to Series 70 (electronic) control.
- Up to six motors can be paralleled from one Series 90 controller.



SPECIFICATIONS

TRADELINE® Models

TRADELINE models are selected and packaged to provide ease of stocking, ease of handling, and maximum replacement value. TRADELINE model specifications are the same as those of standard models unless otherwise specified. M9164D1009, M9174D1007 are TRADELINE models. TRADELINE models have auxiliary switch cams.

Standard Models:

M9161A,C
M9164A,B,C,D,V
M9171A,B,C
M9174B,C,D

<p>Control Type 91 is Series 90</p> <p>Power Rating 6 is low torque: 5 lb-in. 7 is medium torque: 75 lb-in.</p> <p>Output Drive 4 is dual-ended shaft, nonspring return 1 is single-ended shaft, nonspring return</p>	<p>N N N N</p>	<p>Suffix Letter A: Fixed stroke (90° or 160°), No auxiliary switches B: Fixed stroke (90° or 160°), 1 auxiliary switch C: Fixed stroke (90° or 160°), 2 auxiliary switches D: Adjustable stroke (90° to 160°), No auxiliary switch V: Fixed stroke (90° or 160°), No auxiliary switches</p>
--	----------------	---

NOTE: Some motors furnished to HVAC equipment manufacturers have a single-ended shaft and/or no wiring box.

Electrical Ratings: (M9161, M9164)

M9161, M9164	Voltage (V at 50/60 Hz)	Current Draw (A)	Power Consumption (W)
Without Transformer ^a	24	0.62	14
With Internal Transformer	120	0.20	19
	220 (50 Hz)	0.12	19
	240	0.10	19

^a Internal transformer can be field added.

Electrical Ratings: (M9171, M9174)

M9171, M9174	Voltage (V at 50/60 Hz)	Current Draw (A)	Power Consumption (W)
Without Transformer ^a	24	0.71	16
With Internal Transformer	120	0.22	21
	220 (50 Hz)	0.13	21
	240	0.11	21

^a Internal transformer can be field added.

Controller Type:

Series 90 Control Circuit—135 ohm, Series 90 proportioning controller. Series 90 high or low limit controller with manual minimum position potentiometer (with a combined total resistance of up to 500 ohms) can also be used in the control circuit.

Motor Rotation:

The closed position is the limit of counterclockwise rotation as viewed from the power end of the motor. Motor opens clockwise (as viewed from the power end). These motors are shipped in the closed (fully counterclockwise) position.

Stroke:

Fixed at 90° or 160° or adjustable 90° to 160°.

Maximum Damper Rating:

M9161, M9164: 48 in. B dimension.
M9171, M9174: 100 in. B dimension.

Maximum Dead Weight Load on Shaft:

Power End: 100 lb (45.4 kg) maximum.
Auxiliary End: 100 lb (45.4 kg) maximum.

Crankshaft: 3/8 in. (9.5 mm) square.

M9164 and M9174 have dual-ended shaft.
M9161 and M9171 have single-ended shaft.

Auxiliary Switch Ratings (Amperes):

M9164B and M9174B have one spdt snap switch.
M9164C, M9171C and M9174C have two spdt snap switches.

One Contact Rating ^a Amps	120V	240V
Full Load	7.2	3.6
Locked Rotor	43.2	21.6

^a 40 VA pilot duty, 120/240 Vac on opposite contact.

Dimensions:

See Fig. 1.

Ambient Temperature Ratings:

Maximum: 150°F (66°C) at 25% duty cycle.
Minimum: Minus 40°F (-40°C).

Underwriters Laboratories Inc. Listed:

File No. ED4436, Guide No. XAPX.

Canadian Standards Association Certified:

General Listing File No. LR1620, Guide 400-E.

Timing and Torque:

Model	Timing		Torque in lb-in (N•m)	
	90° Stroke Motors	160° Stroke Motors	Normal Running	Break-away ^a
M9161, M9164	30 sec	1 min	35 (4.0)	70 (8.0)
M9171, M9174	30 sec	1 min	75 (8.5)	150 (17.0)

^a Breakaway torque is the maximum torque available to overcome occasional large loads such as a seized damper or valve. Motor must not be used continuously at this rating.

Accessories:

- ES650117 Explosion-proof Housing: Encloses motor for use in explosive atmospheres. Not for use with Q601, Q618, and Q455 Linkages. To order, contact Nelson Electric, Order Services Dept., P.O. Box 726, Tulsa, OK 74101, (918) 627-5530 for name of nearest local representative. Requires Honeywell 7617DM Coupling.
- Q607 External Auxiliary Switch: Controls auxiliary equipment as a function of motor position.
- Internal Auxiliary Switch Kits: Can be field-installed on TRADELINE models.
 220736A—One-switch Kit.
 220736B—Two-switch Kit.
- Q605 Damper Linkage: Connects motor to damper. *Includes motor crank arm.*
- Q618 Linkage: Connects Modutrol motor to water or steam valve.
- Q601 Bracket and Linkage Assembly: Connects Modutrol motor to water or steam valve.
- Q100 Linkage: Connects Modutrol motor to butterfly valve.
- Q209E,F Potentiometer: Limits minimum position of motor.
- Q68 Dual Control Potentiometer: Controls 1 through 9 additional motors.
- Q181 Auxiliary Potentiometer: Controls 1 or 2 additional motors.
- 221455A Infinitely Adjustable Crank Arm: Approximately 0.75 in. (19 mm) shorter than the 4074ELY Crank Arm. Can rotate through downward position and clear base of motor without requiring use of adapter bracket.
- 7617ADW Adjustable Crank Arm: Approximately 0.75 in. (19 mm) shorter than the 7616BR Crank Arm. Can rotate through the downward position and clear base of motor without requiring use of adapter bracket.
- 220741A Screw Terminal Adapter: Converts the standard quick-connect terminals to screws terminals.
- Transformers: Mounted internally, provide 24 Vac power to motor.
 198162JA—24 Vac; 50/60 Hz (for electrical isolation).
 198162EA—120 Vac; 50/60 Hz.
 198162GA—220 Vac; 50/60 Hz.
 198162AA—120/208/240 Vac; 50/60 Hz.
- Q7130A: Interface Module with selectable voltage ranges (4-7 Vdc, 6-9 Vdc, and 10.5-13.5 Vdc). Adapts motor to M71XX function.
- Q7230A: Interface Module, selectable voltage or current control, with adjustable zero and span. Adapts motor to M72XX function.
- Q7330A: Interface Module, for W936 Economizer applications. Adapts motor to M73XX function.
- Q7630A: Interface Module, 14-17 Vdc control with minimum position capability. Adapts motor to M76XX function.
- 4074BYK: Controls up to 6 M91XX motors in unison from one Series 90 Controller.
- 4074EAU: Drives 2 or 3 M91XX motors from a W973 Single-zone Logic Panel or W7100 Discharge Air Controller.
- 4074EDC: Drives one M91XX motor from a 4-20 mA controller.
- 4074EED: Drives up to 4 M91XX motors from a 4-20 mA controller.
- 221508A Resistor Board—Plugs onto quick-connect terminals in wiring box of M91XX motor. Can be used in place of 4074BYK, EAU, EDC, or EED resistor kits (functions described above).

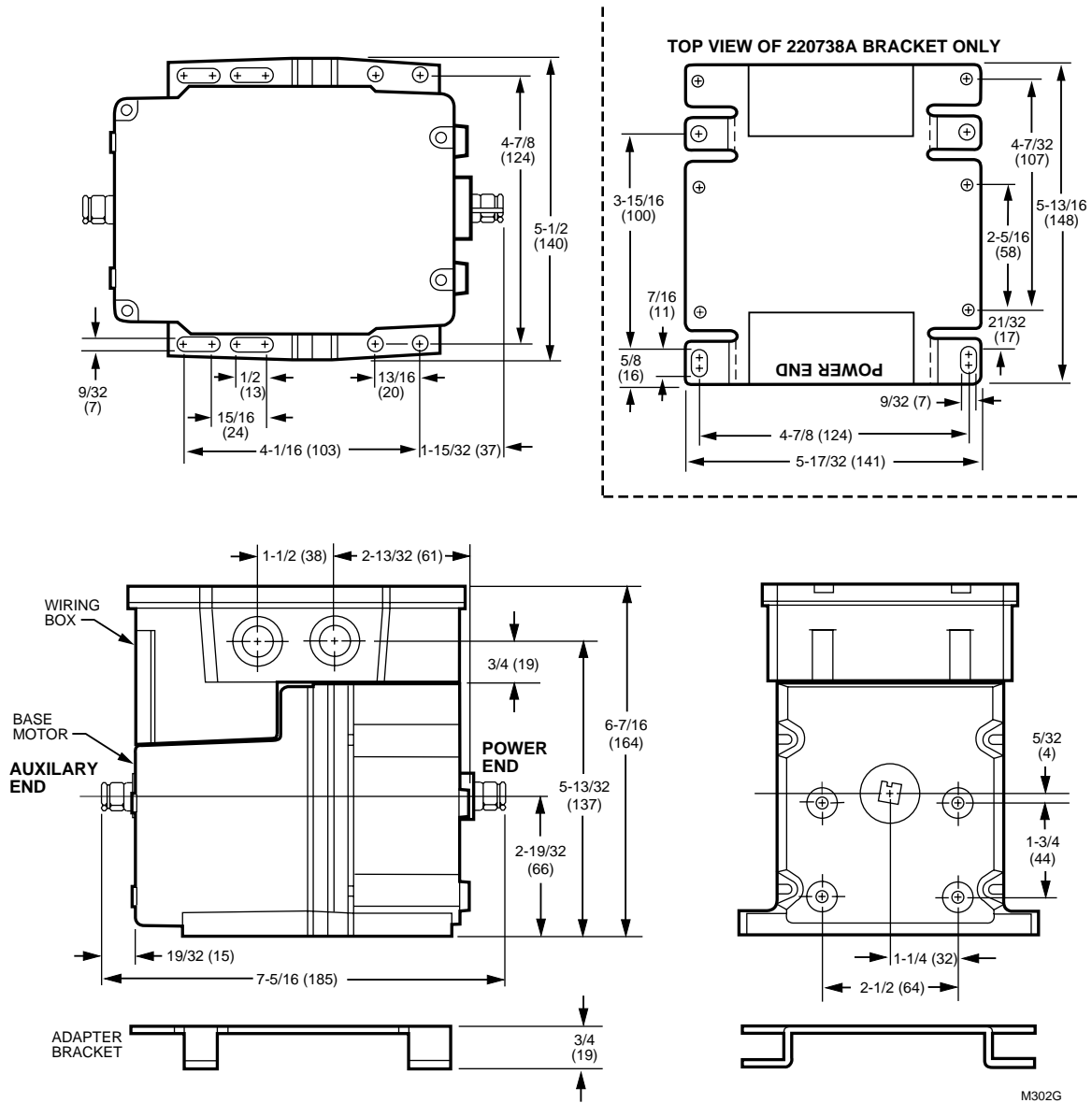


Fig. 1. M9164, M9174 dimensions in in. (mm)
NOTE: M9161, M9171 do not have auxiliary shaft. All other dimensions are the same.

Home and Building Control
 Honeywell Inc.
 Honeywell Plaza
 P.O. Box 524
 Minneapolis MN 55408-0524

Home and Building Control
 Honeywell Limited-Honeywell Limitée
 155 Gordon Baker Road
 North York, Ontario
 M2H 2C9

Honeywell Asia Pacific Inc.
 Room 3213-3225
 Sun Hung Kai Centre
 No. 30 Harbour Road
 Wanchai
 Hong Kong

Honeywell Latin American Division
 Miami Lakes Headquarters
 14505 Commerce Way Suite 500
 Miami Lakes FL 33016

Honeywell Europe S.A.
 3 Avenue du Bourget
 B-1140 Brussels Belgium

Honeywell

Helping You Control Your World

