

B-Pan Transition

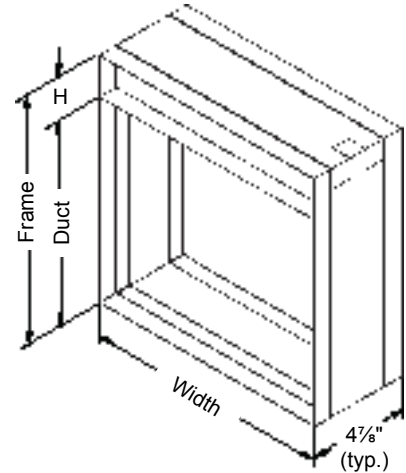
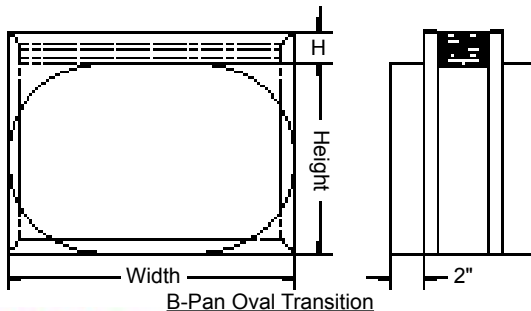
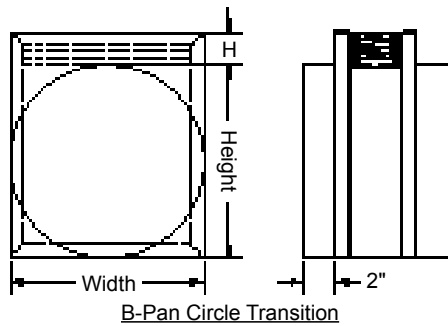
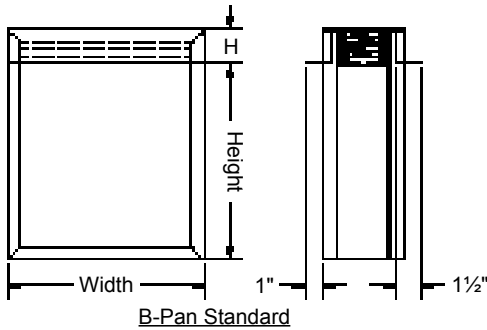
Galvanized Steel Fire Damper Models: 119, D19, 319, D39

APPLICATION

The B-Pan transition allows the blades to be out of air stream. The B-Pan transition also used for dampers less than the minimum frame size. Reference SI-SSFD for Stainless Steel construction sizes.

PANEL SIZE LIMITATIONS

		2000 fpm, 4 in.wg (D19 and D39 only)				4000 fpm, 4 in.wg	
Orientation	Hor & Vert	Horizontal		Vertical		Vertical Only	
Panel	Minimum Panel	Maximum Single Panel	Maximum Assembly	Maximum Single Panel	Maximum Assembly	Maximum Single Panel	
Model	119B	4"W x 3"H (duct) (4"W x 5"H frame)	48"W x 43"H (duct) (48"W x 48"H frame)	102"W x 43"H (duct) (102"W x 48"H frame) (36"W x 43"H section duct)	60"W x 55"H (duct) (60"W x 60"H frame)	120"W x 115"H (duct) (120"W x 120"H frame) (40"W x 60"H section duct)	not available
	319B	4"W x 3"H (duct) (4"W x 5"H frame)	48"W x 43"H (duct) (48"W x 48"H frame)	72"W x 32"H (duct) (72"W x 36"H frame) (36"W x 32"H section duct)	36"W x 32"H (duct) (36"W x 36"H frame)	72"W x 68"H (duct) (72"W x 72"H frame) (36"W x 32"H section duct)	not available
	D19B	4"W x 3"H (duct) (4"W x 5"H frame)	24"W x 21"H (duct) (24"W x 24"H frame)	not available	36"W x 32"H (duct) (36"W x 36"H frame)	72"W x 32"H (duct) (72"W x 36"H frame) (18"W x 32"H section duct)	18"W x 32"H (duct) (18"W x 36"H frame)
	D39B	4"W x 3"H (duct) (4"W x 5"H frame)	24"W x 21"H (duct) (24"W x 24"H frame)	not available	36"W x 32"H (duct) (36"W x 36"H frame)	72"W x 32"H (duct) (72"W x 36"H frame) (18"W x 32"H section duct)	18"W x 32"H (duct) (18"W x 36"H frame)



Head Sizing Chart 119, 319H, D19, D39		Head Sizing Chart 319V	
Duct Height	Head Height "H"	Duct Height	Head Height "H"
3" - 18"	2"	3" - 18"	2"
19" - 28"	3"	19" - 28"	3"
29" - 40"	4"	29" - 32"	4"
41" - 55"	5"	33" - 37"	2"
56" - 57"	3"	38" - 57"	3"
58" - 84"	4"	58" - 68"	4"
85" - 115"	5"		

B-Pan Transition

Galvanized Steel Fire Damper Models: 119B, D19, 319, D39

119B Free Area																D19B Free Area								
Duct Height	Duct Width															Duct Height	Duct Width							
	4	8	12	16	20	24	28	32	36	40	44	48	52	56	60		8	12	16	20	24	28	32	36
4	.06	.2	.3	.4	.5	.5	.6	.7	.8	.9	1.0	1.1	1.2	1.3	1.4	.8	.4	.6	.8	1.0	1.2	1.4	1.6	1.8
8	.2	.4	.6	.8	1.0	1.2	1.4	1.6	1.8	2.0	2.2	2.4	2.5	2.8	3.0	1.2	.5	.9	1.2	1.5	1.8	2.1	2.4	2.7
12	.2	.5	.9	1.2	1.5	1.8	2.1	2.4	2.7	3.0	3.4	3.7	4.0	4.3	4.6	1.6	.7	1.2	1.6	2.0	2.4	2.8	3.3	3.7
16	.3	.7	1.2	1.6	2.0	2.4	2.8	3.3	3.7	4.1	4.5	5.0	5.4	5.8	6.2	2.0	.9	1.4	2.0	2.5	3.0	3.6	4.1	4.7
20	.4	.9	1.4	2.0	2.5	3.0	3.6	4.1	4.7	5.2	5.7	6.3	6.8	7.3	7.9	2.4	1.1	1.7	2.4	3.0	3.7	4.3	5.0	5.6
24	.4	1.1	1.7	2.4	3.0	3.7	4.3	5.0	5.6	6.3	6.9	7.5	8.2	8.8	9.5	2.8	1.2	2.0	2.8	3.5	4.3	5.0	5.8	6.5
28	.5	1.2	2.0	2.8	3.5	4.3	5.0	5.8	6.5	7.3	8.0	8.8	9.5	10.3	11.0	3.2	1.5	2.3	3.2	4.0	4.9	5.8	6.7	7.5
32	.6	1.5	2.3	3.2	4.0	4.9	5.8	6.7	7.5	8.4	9.3	10.1	11.0	11.9	12.7	3.6	.7	1.6	2.6	3.6	4.6	5.5	6.5	7.5
36	.7	1.6	2.6	3.6	4.6	5.5	6.5	7.5	8.5	9.5	10.4	11.4	12.4	13.4	14.4	4.0	.7	1.8	2.9	4.0	5.1	6.2	7.3	8.4
40	.7	1.8	2.9	4.0	5.1	6.2	7.3	8.4	9.4	10.5	11.6	12.7	13.8	14.9	16.0	4.4	.8	2.0	3.2	4.4	5.6	6.8	8.0	9.2
44	.8	2.0	3.2	4.4	5.6	6.8	8.0	9.2	10.4	11.6	12.8	14.0	15.2	16.4	17.6	4.8	.8	2.1	3.3	4.6	5.9	7.1	8.4	9.6
48	.8	2.1	3.3	4.6	5.9	7.1	8.4	9.6	10.9	12.1	13.4	14.7	15.9	17.2	18.4	5.2	.9	2.4	3.8	5.2	6.6	8.0	9.5	10.9
52	.9	2.4	3.8	5.2	6.6	8.0	9.5	10.9	12.3	13.7	15.2	16.6	18.0	19.4	20.9	5.6	.9	2.4	3.9	5.3	6.8	8.3	9.8	11.3
55	.9	2.4	3.9	5.3	6.8	8.3	9.8	11.3	12.8	14.3	15.8	17.3	18.8	20.3	21.8									

319B Free Area (Vertical Mount)													319B Free Area (Horizontal Mount)												
Duct Height	Duct Width												Duct Height	Duct Width											
	4	8	12	16	20	24	28	32	36	40	44	47		4	8	12	16	20	24	28	32	36	40	44	48
4	.04	.09	.16	.22	.29	.35	.41	.47	.54	.58	.64	.70	.4	.06	.2	.3	.4	.5	.5	.6	.7	.8	.9	1.0	1.1
8	.09	.27	.44	.62	.79	.97	1.1	1.3	1.5	1.6	1.8	1.9	8	.2	.4	.6	.8	1.0	1.2	1.4	1.6	1.8	2.0	2.2	2.4
12	.16	.44	.73	1.0	1.3	1.6	1.9	2.1	2.4	2.6	2.9	3.2	12	.2	.5	.9	1.2	1.5	1.8	2.1	2.4	2.7	3.0	3.4	3.7
16	.22	.62	1.0	1.4	1.8	2.2	2.6	3.0	3.4	3.7	4.1	4.4	16	.3	.7	1.2	1.6	2.0	2.4	2.8	3.3	3.7	4.1	4.5	5.0
20	.29	.79	1.3	1.8	2.3	2.8	3.3	3.8	4.3	4.7	5.2	5.7	20	.4	.9	1.4	2.0	2.5	3.0	3.6	4.1	4.7	5.2	5.7	6.3
24	.35	.97	1.6	2.2	2.8	3.4	4.1	4.7	5.3	5.8	6.4	6.9	24	.4	1.1	1.7	2.4	3.0	3.7	4.3	5.0	5.6	6.3	6.9	7.5
28	.41	1.1	1.9	2.6	3.3	4.1	4.8	5.5	6.2	6.8	7.5	8.2	28	.5	1.2	2.0	2.8	3.5	4.3	5.0	5.8	6.5	7.3	8.0	8.8
32	.47	1.3	2.1	3.0	3.8	4.7	5.5	6.3	7.2	7.8	8.7	9.4	32	.6	1.5	2.3	3.2	4.0	4.9	5.8	6.7	7.5	8.4	9.3	10.1
36	.51	1.4	2.3	3.2	4.2	5.0	5.9	6.8	7.7	8.6	9.4	10.2	36	.7	1.6	2.6	3.6	4.6	5.5	6.5	7.5	8.5	9.5	10.4	11.4
40	.58	1.6	2.6	3.6	4.6	5.7	6.6	7.7	8.7	9.5	10.5	11.4	40	.7	1.8	2.9	4.0	5.1	6.2	7.3	8.4	9.4	10.5	11.6	12.7
42	.61	1.7	2.8	3.8	5.0	6.1	7.2	8.3	9.3	10.2	11.3	12.3	43	.7	1.9	3.0	4.1	5.3	6.5	7.6	8.8	9.9	11.1	12.3	13.4

