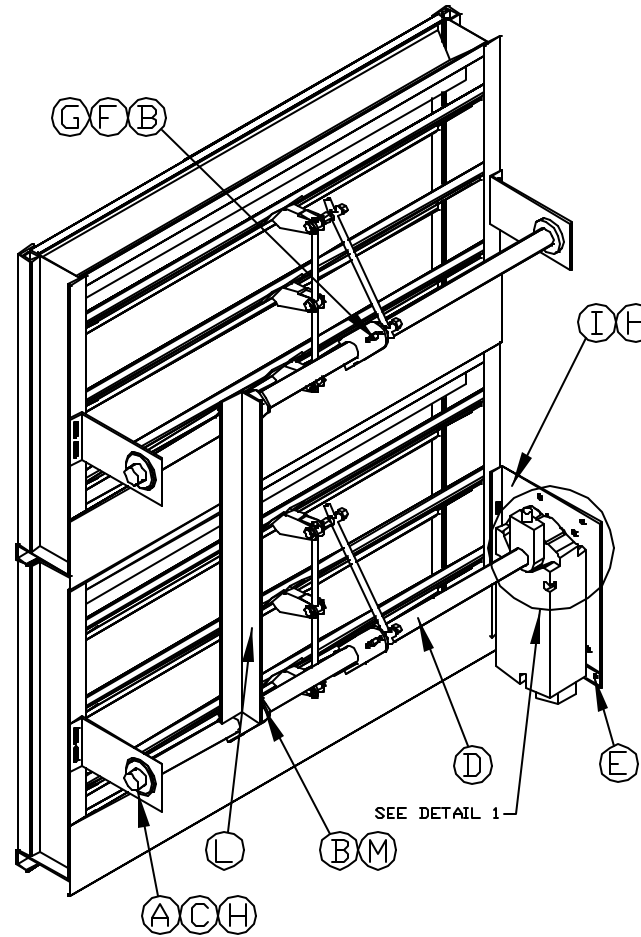


DETAIL 1



DIMENSION FROM EDGE OF SILL TO EDGE OF ACTUATOR SETUP IS 7.875.

* ALL LOUVER PANELS SHOWN ARE SINGLE LINKAGE. IF DOUBLE LINKAGE PER LOUVER PANEL IS REQUIRED, ADDITIONAL QUANTITIES OF AFFECTED ITEMS WILL BE PROVIDED FOR EACH SET OF LINKAGE.

ITEM	PART DESCRIPTION	DRAWING NUMBER	QUANTITY PER # OF PANELS		TOTAL QUANTITY
			DOUBLE	TRIPLE	
A	JACKSHAFT STAND W/ BEARING	287E3-STD	3	5	
B	REMOVABLE LINKAGE ARM TYPE 'S'	18142-STD	4	7	
C	UNI-CLAMP NO. UM5016-131	25724-STD	3	5	
D	1" DIA. JACKSHAFT TUBE	25722-STD	2	3	
E	#10-24 x 3/4" LG. HEX HEAD	-	2	2	
F	5/16" DIA SWIVEL	A21749	4	6	
G	5/16" DIA. PLATED STEEL CONNECTING ROD	-	2	3	
H	PLATED STEEL MOUNTING SCREWS (#14 x 3/4" LG)	-	8	12	
J	HONEYWELL ACTUATOR MOUNT	31034-STD	1	1	
J					
K					
L	LINKAGE INTERCONNECT	32929-STD	1	2	
M	E-CLIP	-	2	4	

SIEMENS ACTUATOR

REVISION	DATE	BY	APPD
abi. air balance, inc. A MESTEK COMPANY			
7301 INTERNATIONAL DRIVE		HOLLAND, OHIO	
Phone (419) 885-5000		Fax (419) 885-1375	
MULTI-HIGH PANEL W/ ON BLADE LINKAGE			
CHKD BY	JMC	APPD BY	
DATE	05/13/81	DWG. NO.	32986-1-STD
			REV.

132986-1