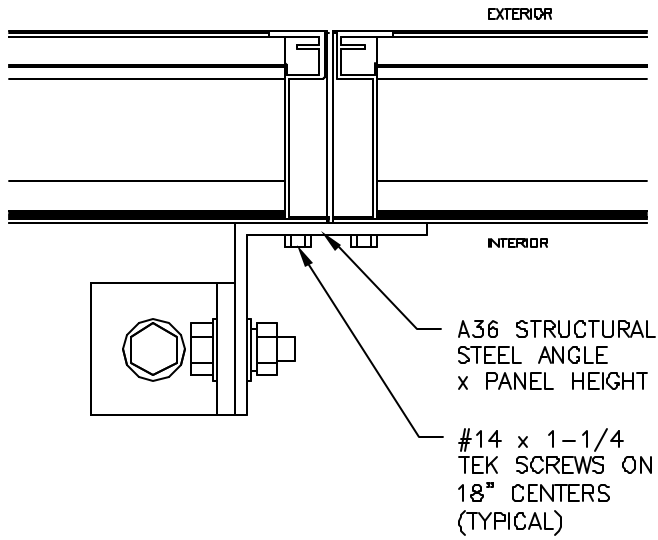
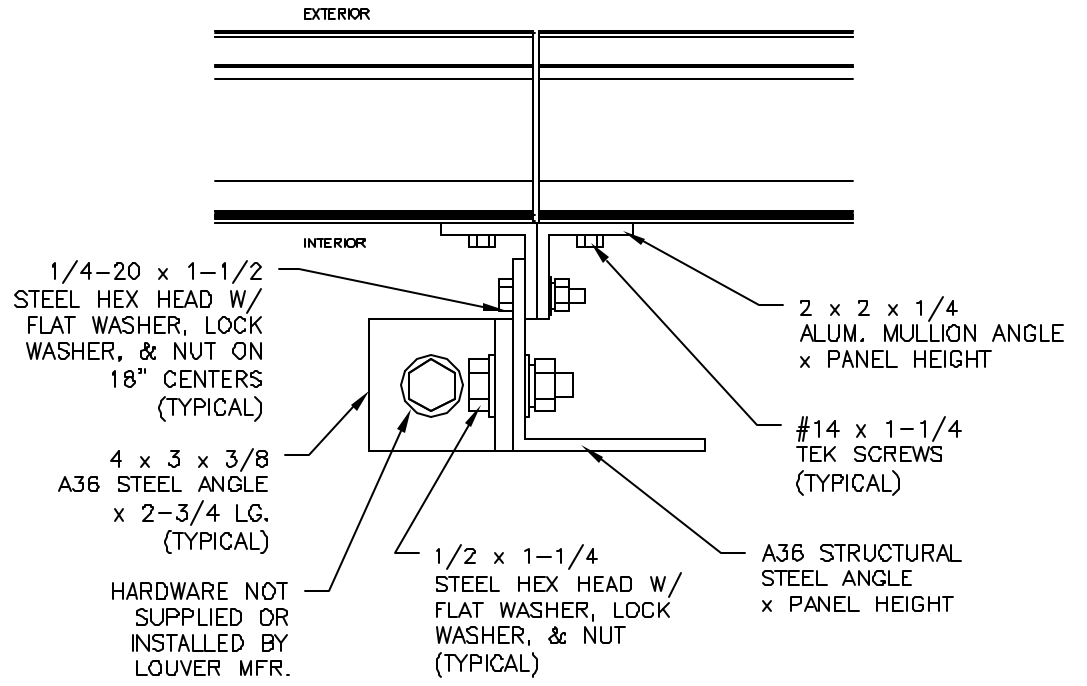


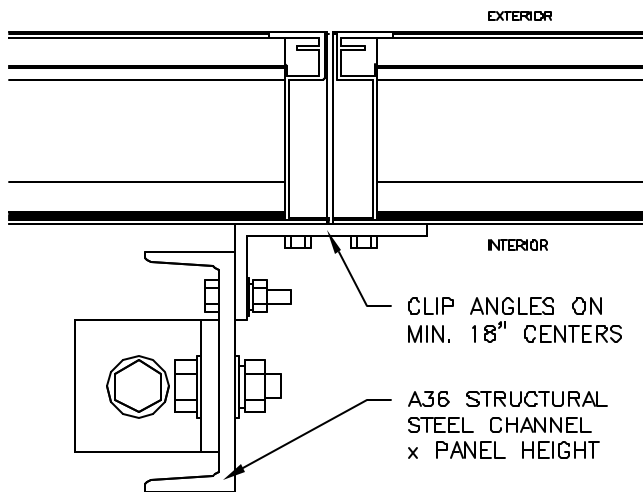
STD. VISIBLE MULLION ANGLE SUPPORT



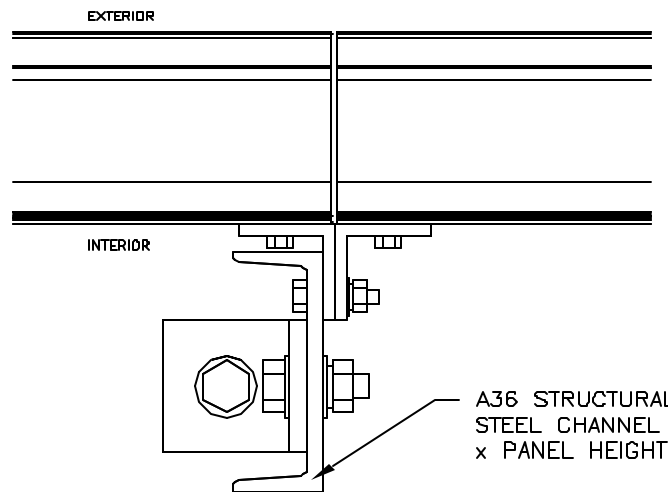
ARCHITECTURAL MULLION ANGLE SUPPORT



STD. VISIBLE MULLION CHANNEL SUPPORT



ARCHITECTURAL MULLION CHANNEL SUPPORT



REVISION	DATE	BY	APPD
abi air balance, inc. A MESTEK COMPANY 7301 INTERNATIONAL DRIVE HOLLAND, OHIO Phone (419) 865-5000 Fax (419) 865-1375			
STRUCTURAL SUPPORTS FOR MULTI-WIDE PANEL LOUVERS			
DRN BY	JWC	APPRO BY	
DATE	04/24/01	DWG. NO.	32968-1-STD

1-10000215