

LOUVER  
CONSTRUCTION  
DETAILS

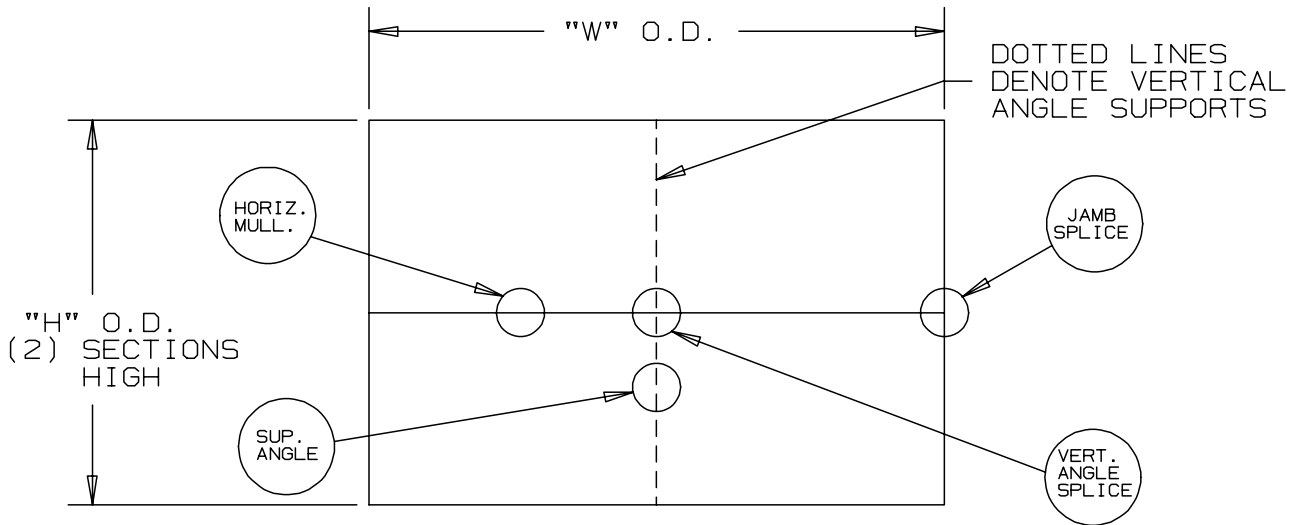
# STATIONARY EXTRUDED ALUMINUM LOUVERS REFERENCE CHART

MODEL	A M C A	LOUVER DEPTH	BLADE STYLE	BLADE ANGLE	BLADE SPACING	% FREE AREA 48" x 48"	JAMB SPLICE DETAIL	VERT. MULL. DETAIL	HORIZ. MULL. DETAIL	VERT. ANGLE SPLICE DETAIL	SPLICE INT. DETAIL	SUP. ANGLE DETAIL
A150		1 1/2"	BAFFLE	30°	1 1/2"		3	1	5	4	7,8	6
A245	+	2"	BAFFLE	45°	2 3/4"	45%	↑	↑	↑	↑	↑	↑
A200	+	2"	CHEVRON		1"	43%						
A258	+	2"	DRAIN	45°	2 3/4"	45%						
A328	+	3"	CHEVRON		1 3/16"	44%		↓				
A455	+	4"	STANDARD	45°	4"	57%		1				
A455 CONT.		↑	STANDARD	↑	↑	57%		2				
A465	+		BAFFLE	↓	↓	56%		1				
A465 CONT.			BAFFLE	45°	4"	56%		2				
A430	+		STANDARD	37°	3 1/2"	57%		1				
A430 CONT.			STANDARD	↑	↑	↑		2				
A435	+		DRAIN	↓	↓	↓		1				
A435 CONT.			↑	37°	3 1/2"	57%		2				
A424	+		↓	45°	4"	52%		1				
A424 CONT.			DRAIN	45°	4"	52%		2				
A440			BAFFLE	30°	3"			1				
A440 CONT.			BAFFLE	30°	3"			2				
A445	+		DRAIN	45°	5"	51%		1				
A445 CONT.			DRAIN	45°	5"	51%		2				
A490	+		CHEVRON		1 5/8"	47%		1				
A491	+	↓	CHEVRON		1 5/8"	47%		↑				
A220	+	4"	DRAIN	45°	4"	52%						
A590	+	5"	CHEVRON		2"	44%						
A500	+	5"	CHEVRON		2 1/4"	48%						
A520	+	5"	CHEVRON		2"	44%			↓			
A655	+	6"	STANDARD	45°	5 3/8"	55%		1				
A655 CONT.		↑	STANDARD	45°	5 3/8"	55%		2				
A635	+		DRAIN		4 1/2"	56%		1				
A635 CONT.			DRAIN		4 1/2"	56%		2				
A675	+		STD/DRAIN	37°	3 1/2"	44%		1				
A675 CONT.			STD/DRAIN	37°	3 1/2"	44%		2				
A634	+		DRAIN		4 1/2"	56%		1				
A634 CONT.			DRAIN		4 1/2"	56%		2				
A650	+		DRAIN		5 3/8"	53%		1				
A680	+	↓	CHEVRON		1 5/8"	53%		↑				
A320	+	6"	DRAIN	35°	4"	58%						
A750	+	7"	CHEVRON		2 1/4"	45%						
A850		8"	CHEVRON		2 1/4"	56%	↓	↓	↓	↓	↓	↓
A820	+	8"	CHEVRON		1 1/4"	29%	3	1	5	4	7,8	6



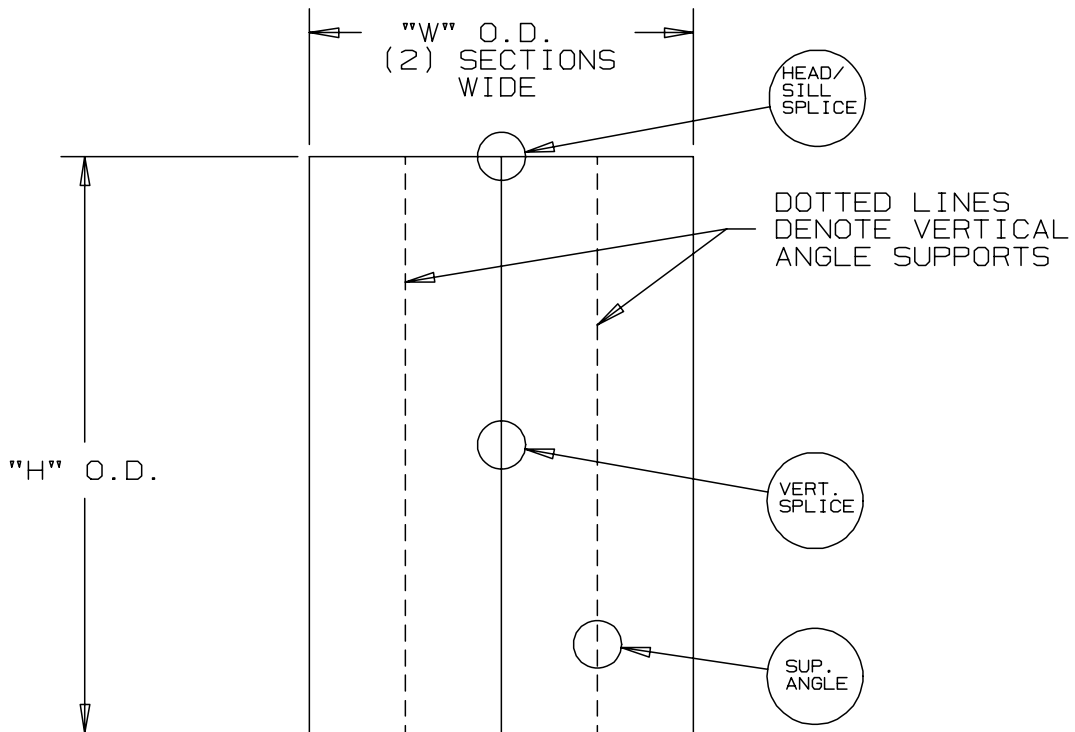


# SCHEMATIC LOUVER DRAWINGS



## LOUVER TYPE # 1

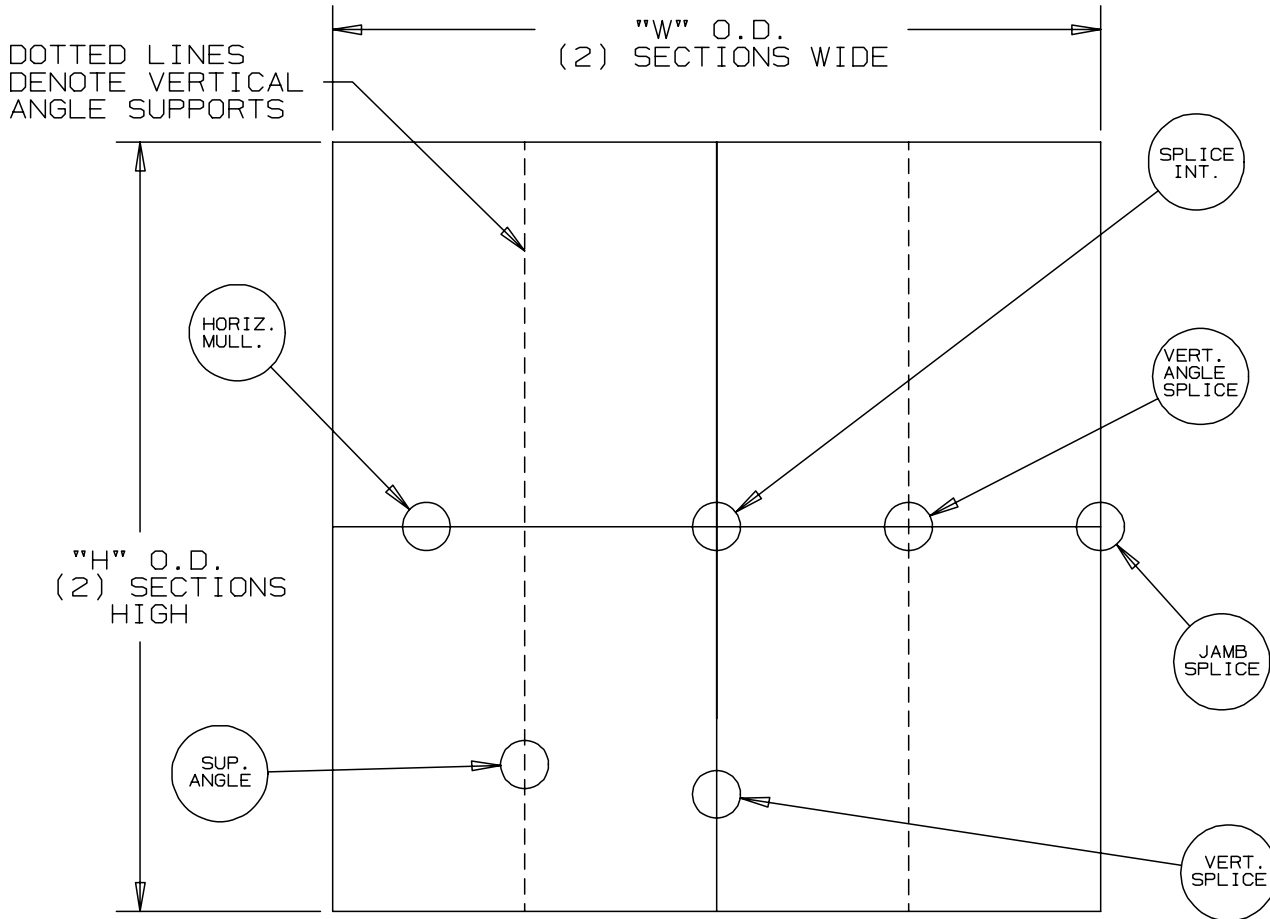
HORIZONTAL SPLICE AND VERTICAL ANGLE SUPPORT  
SINGLE SECTION WIDE BY TWO SECTIONS HIGH



## LOUVER TYPE # 2

VERTICAL SPLICE AND VERTICAL ANGLE SUPPORTS  
TWO SECTIONS WIDE BY ONE SECTION HIGH

# SCHEMATIC LOUVER DRAWINGS

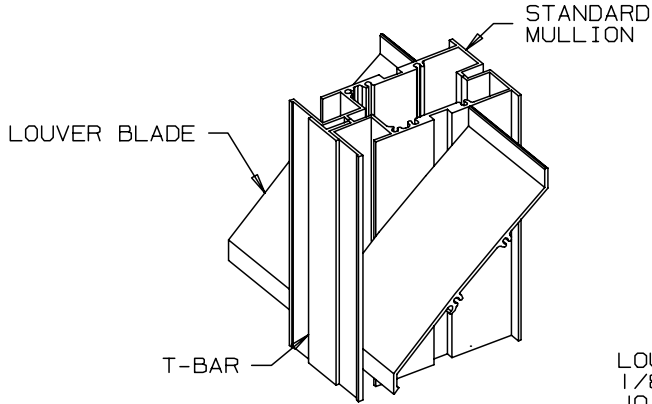


## LOUVER TYPE #3

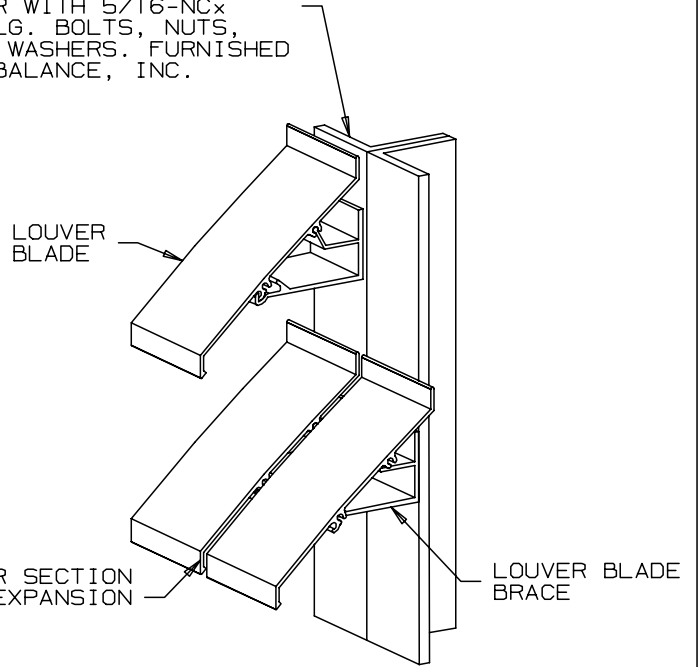
HORIZONTAL AND VERTICAL SPLICE WITH VERTICAL SUPPORT ANGLES  
TWO SECTIONS WIDE BY TWO SECTIONS HIGH

# EXTRUDED ALUMINUM LOUVER DETAILS

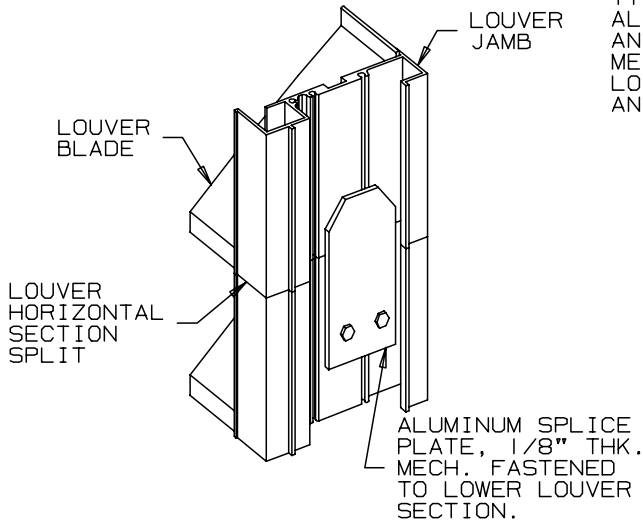
CONTINUOUS LINE VERTICAL  
ALUMINUM 2"x2"x1/4" THK.  
SUPPORT ANGLES, FASTENED  
TOGETHER WITH 5/16-NCx  
1 1/2" LG. BOLTS, NUTS,  
AND LK. WASHERS. FURNISHED  
BY AIR BALANCE, INC.



DETAIL # 1

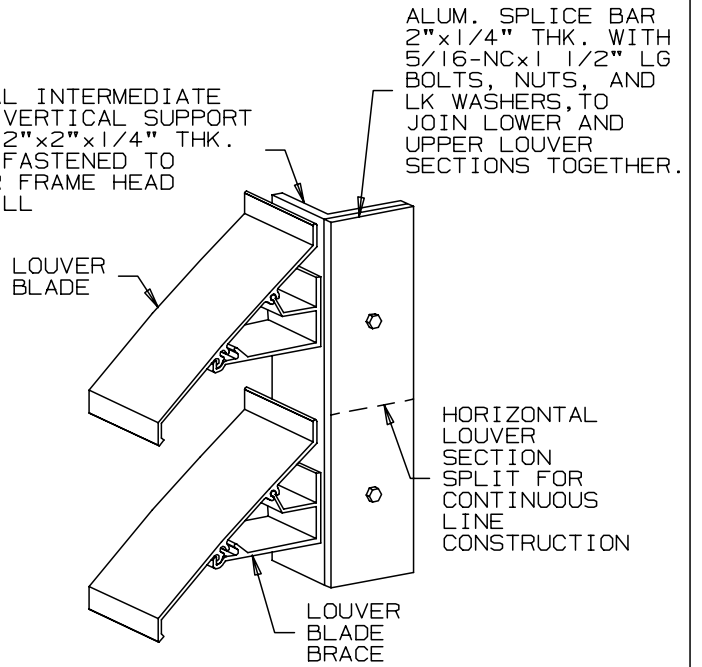


DETAIL # 2



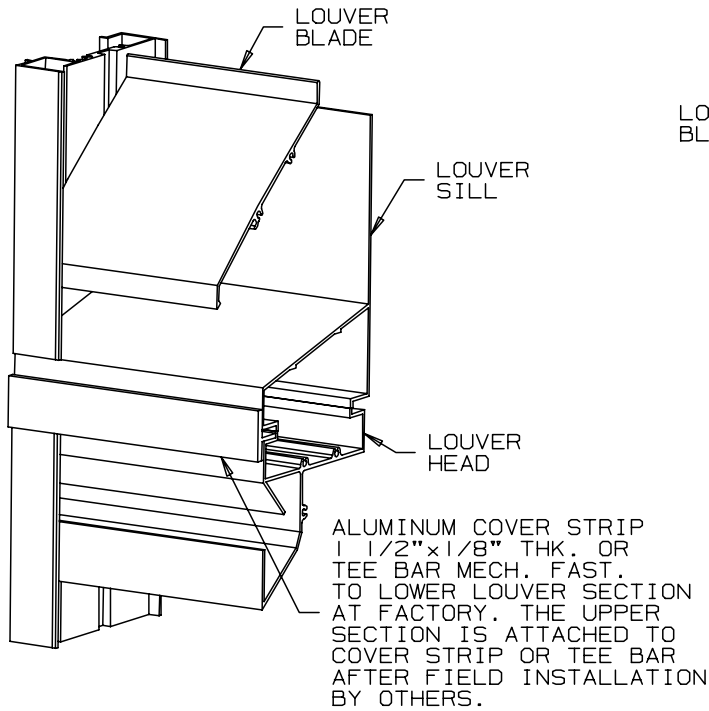
DETAIL # 3

TYPICAL INTERMEDIATE  
ALUM. VERTICAL SUPPORT  
ANGLE 2"x2"x1/4" THK.  
MECH. FASTENED TO  
LOUVER FRAME HEAD  
AND SILL

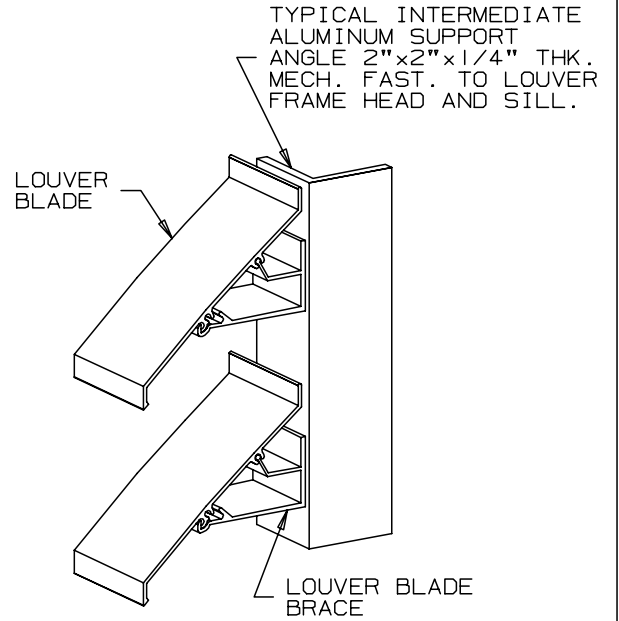


DETAIL # 4

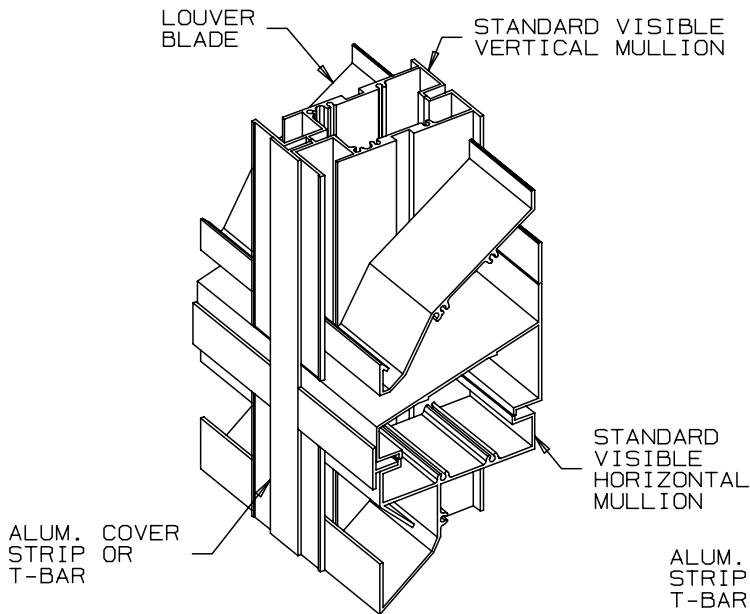
# EXTRUDED ALUMINUM LOUVER DETAILS



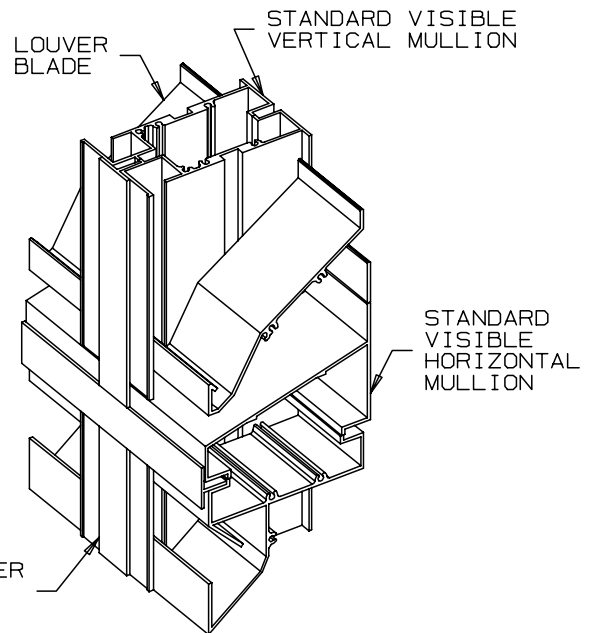
DETAIL #5



DETAIL #6



DETAIL #7



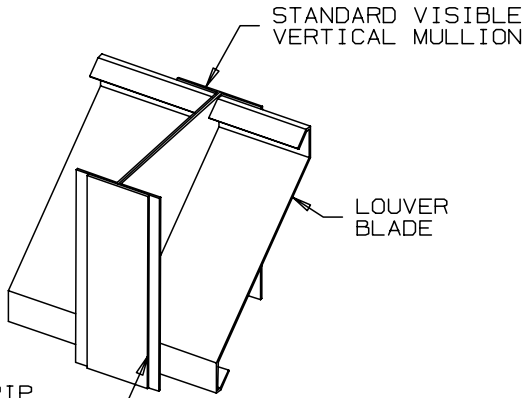
DETAIL #8

THE UNBROKEN CONTINUOUS LENGTH OF THE ALUM. COVER STRIP AT THE LOUVER INTERSECTION IS DETERMINED BY THE LONGEST LOUVER DIMENSION, WIDTH OR HEIGHT.

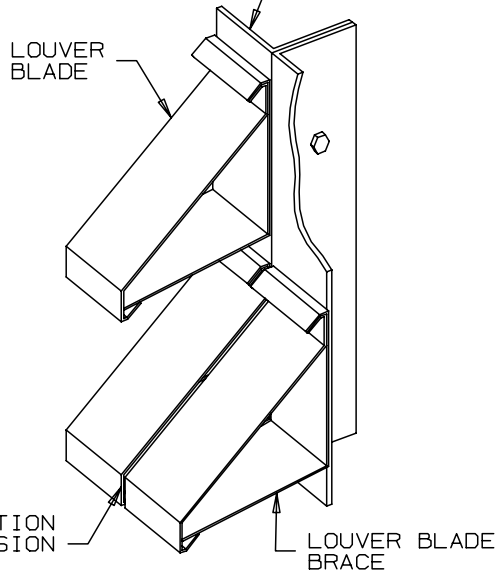


# FABRICATED STEEL LOUVER DETAILS

CONTINUOUS LINE VERTICAL  
 STEEL 2"x2"x1/8" THK.  
 SUPPORT ANGLES, FAST.  
 TOGETHER WITH 5/16-NCx1 1/2"  
 LG. BOLTS, NUTS AND LK  
 WASHERS. FURNISHED BY  
 AIR BALANCE, INC.

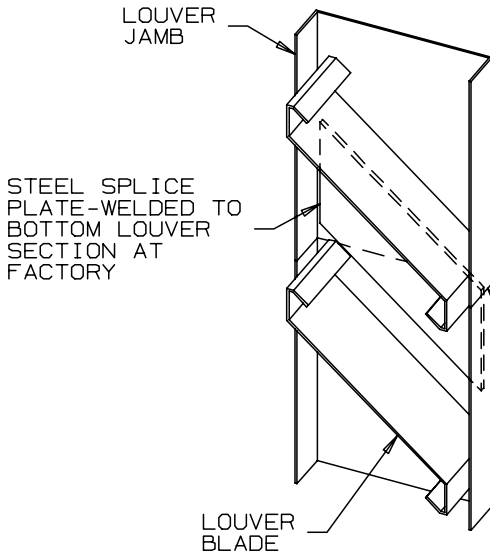


STEEL COVER STRIP  
 1 1/2"x18 GA. THK.  
 MECH. FAST. TO  
 RIGHT LOUVER SECTION  
 AT FACTORY



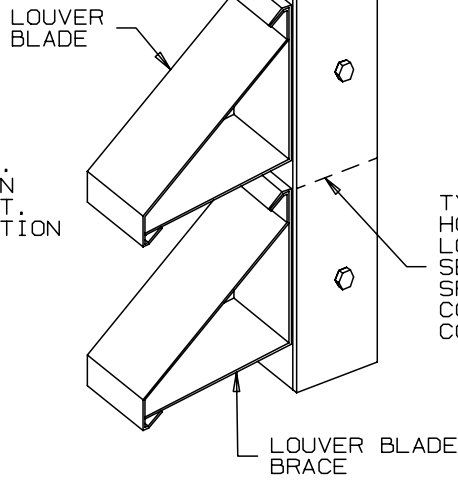
DETAIL # 9

DETAIL # 10



STEEL SPLICE BAR  
 2"x10 GA. FURNISHED  
 W/ 5/16-NCx1 1/2"  
 LG. BOLTS, NUTS AND  
 LK WASHERS TO JOIN  
 LOWER AND UPPER LOUVER  
 SECTIONS TOGETHER

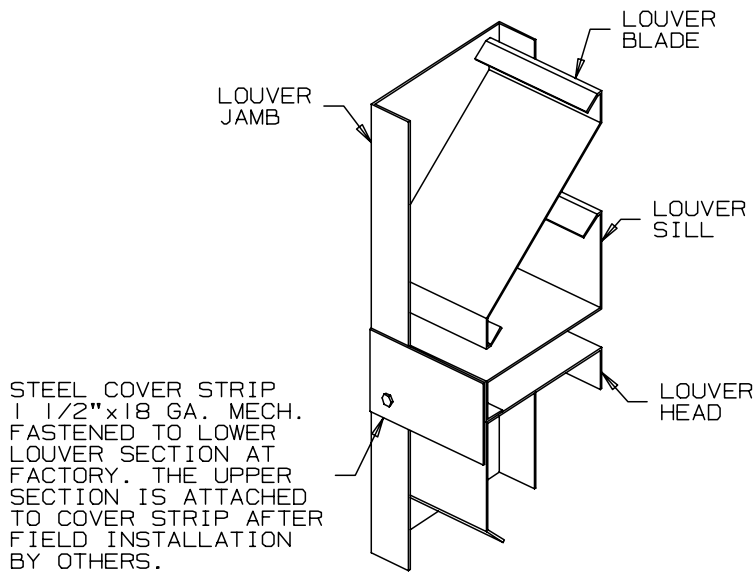
TYPICAL HORIZ.  
 LOUVER SECTION  
 SPLIT FOR CONT.  
 LINE CONSTRUCTION



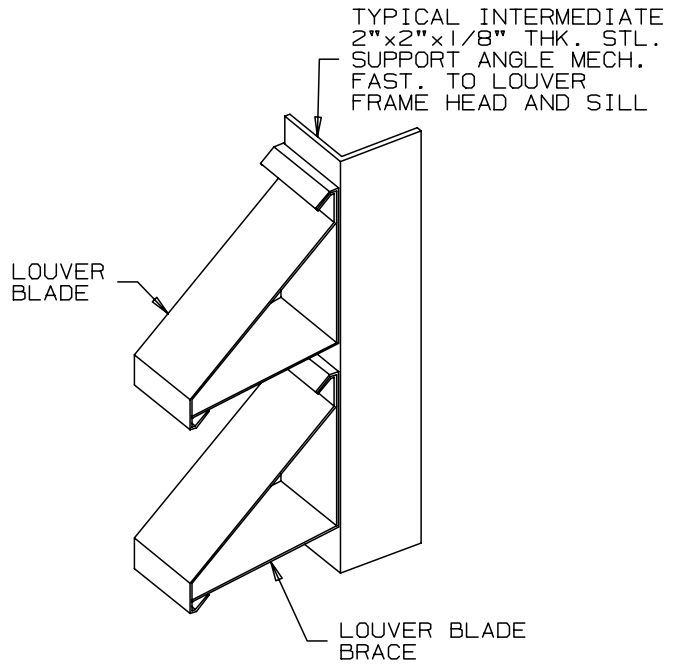
DETAIL # 11

DETAIL # 12

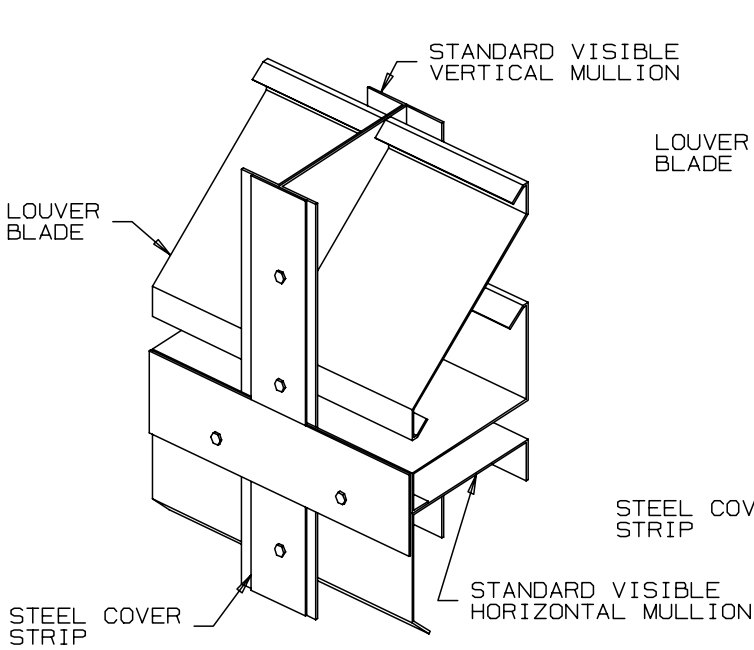
# FABRICATED STEEL LOUVER DETAILS



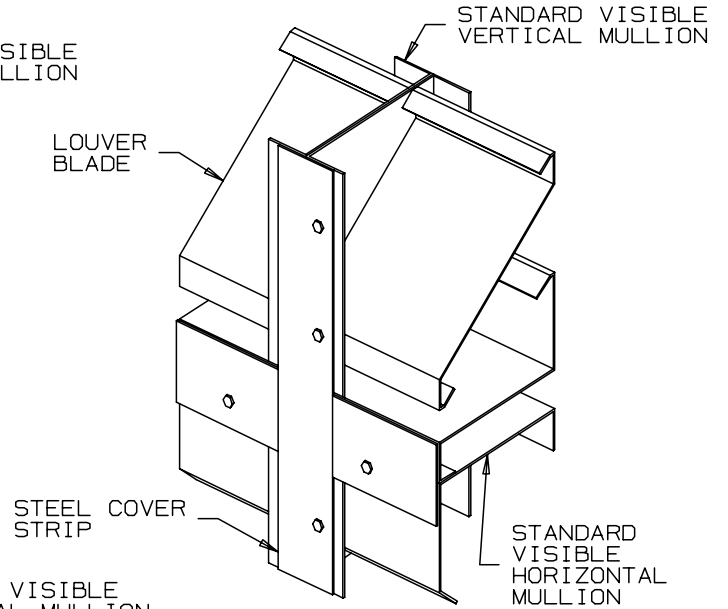
DETAIL # 13



DETAIL # 14

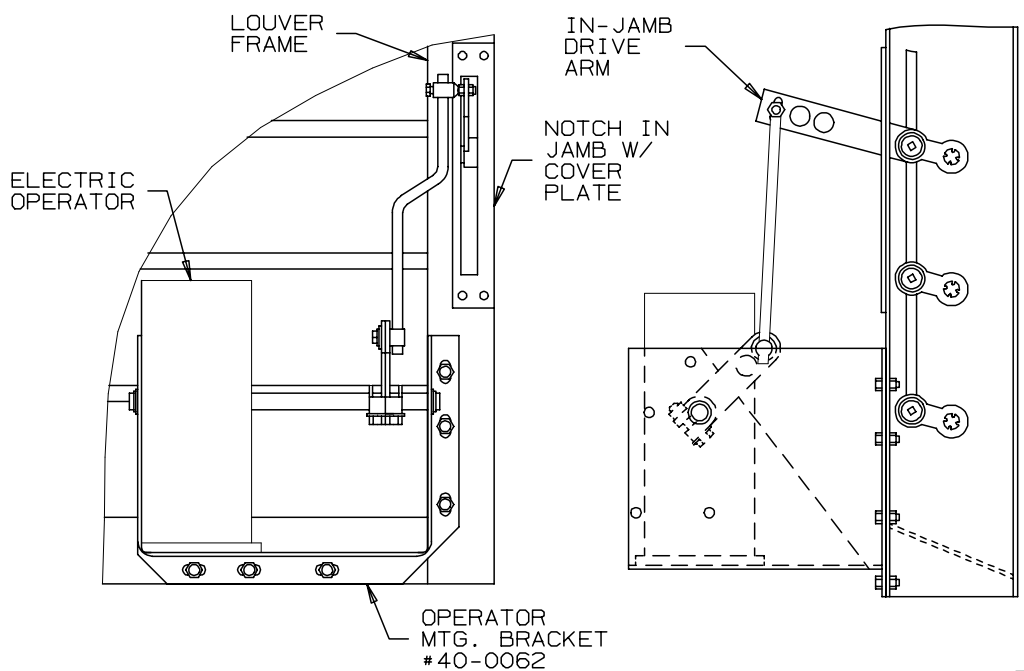


DETAIL # 15

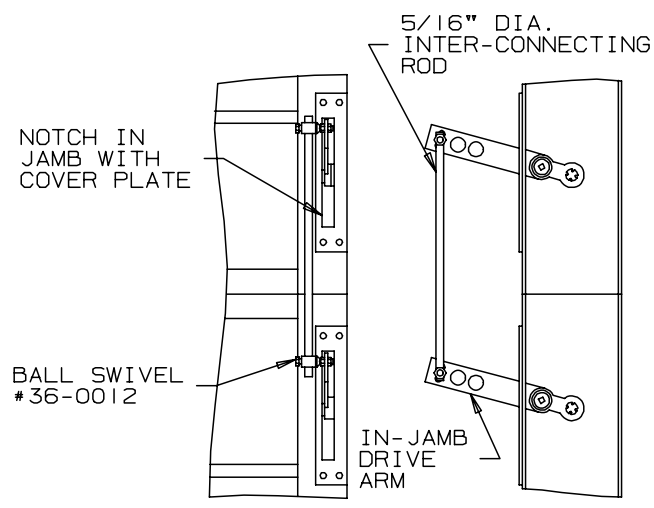


DETAIL # 16

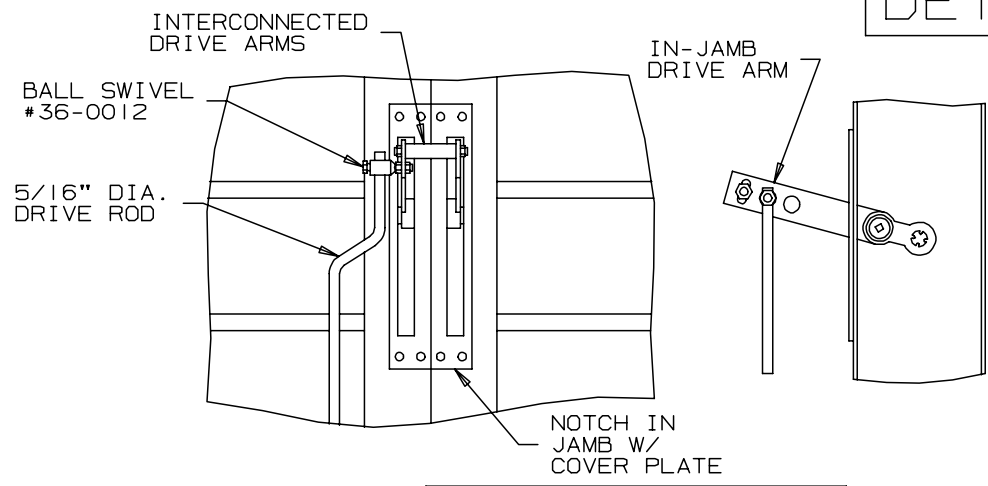
# ADJUSTABLE ALUMINUM AND STEEL LOUVER DETAILS



DETAIL # 17

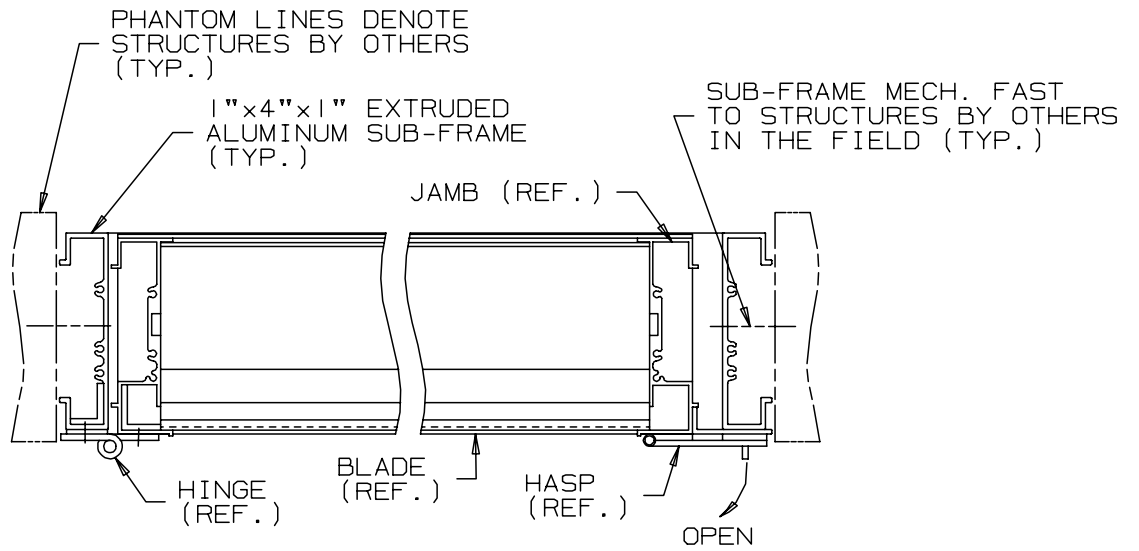


DETAIL # 18

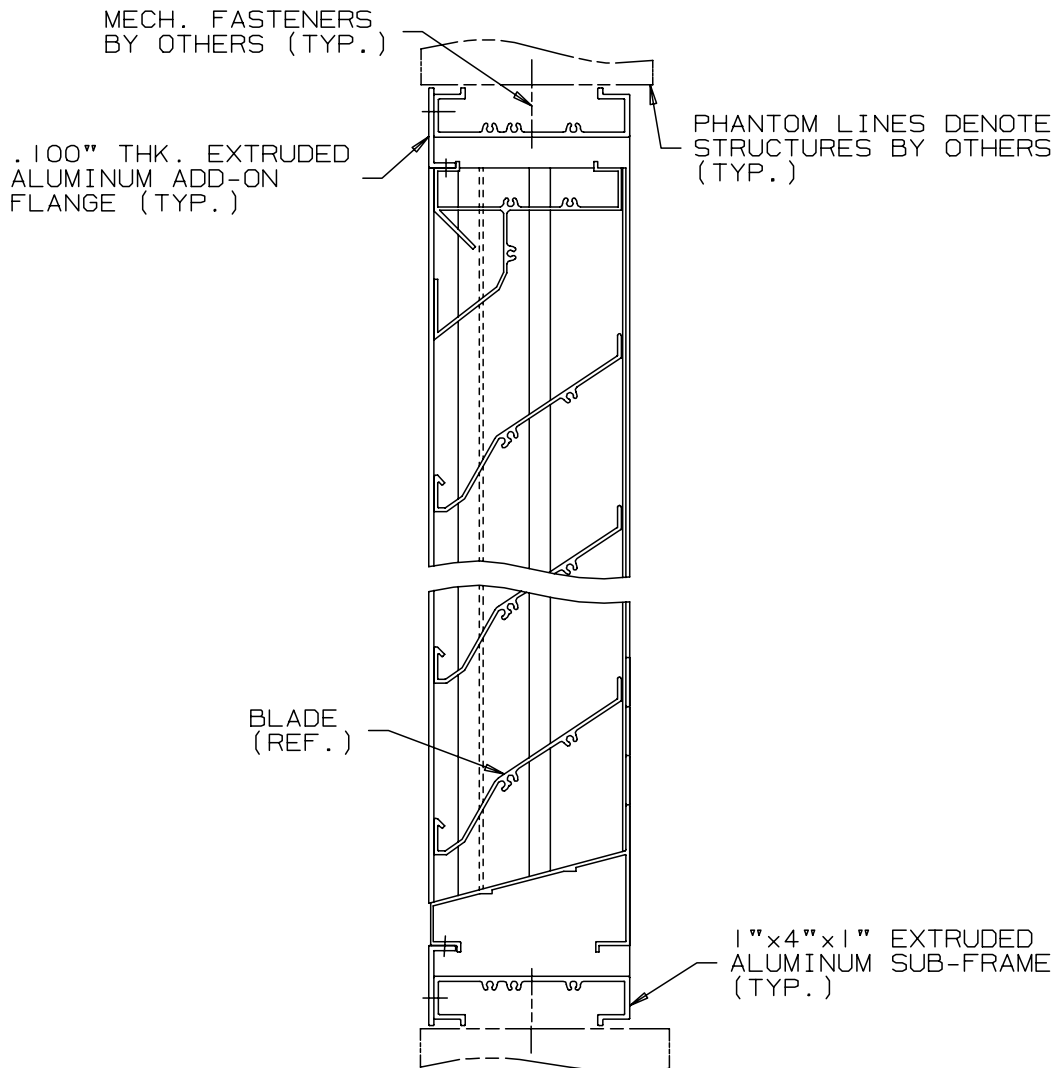


DETAIL # 19

# SPECIAL LOUVER MOUNTING DETAILS

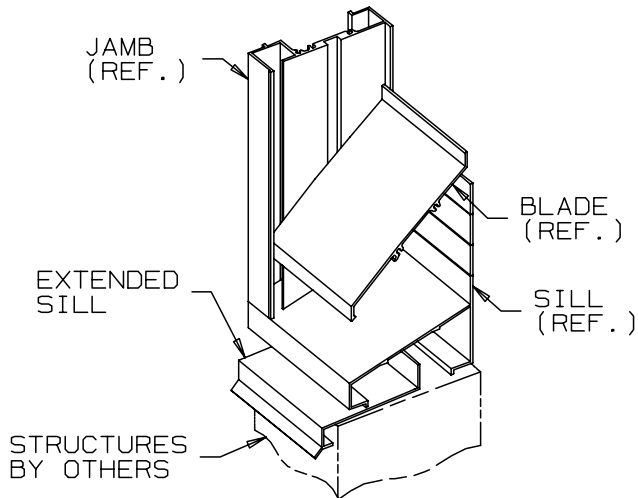


## HINGED LOUVER DOOR W/ SUBFRAME

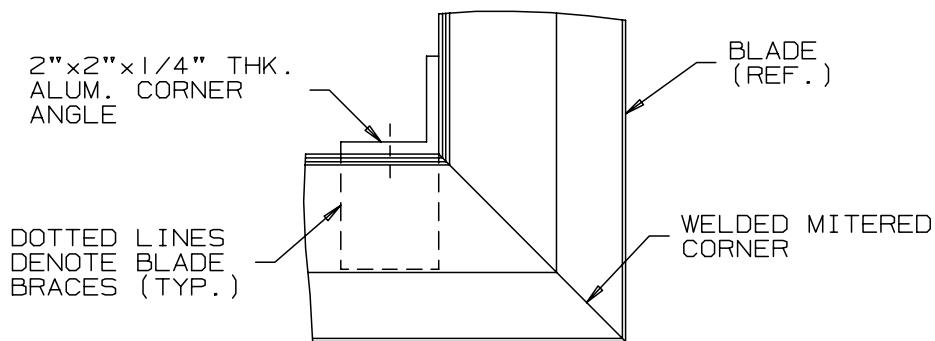


## REMOVABLE FLANGED FRAME LOUVER SECTION

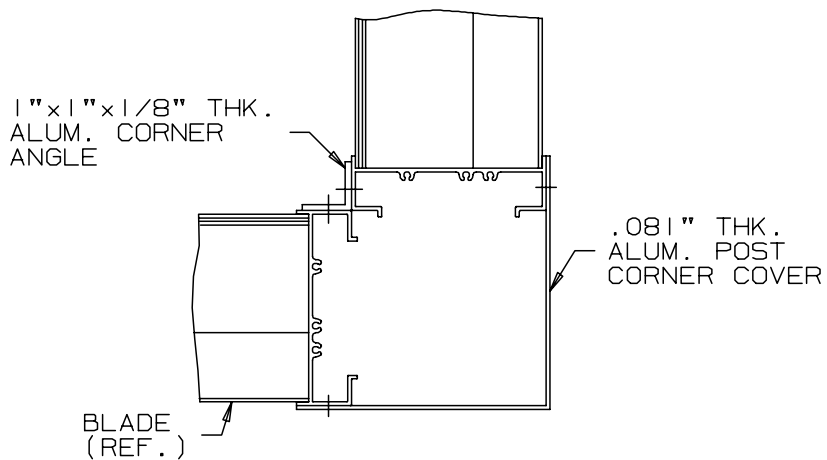
# SPECIAL LOUVER MOUNTING DETAILS



EXTENDED SILL DETAIL



MITERED CORNER DETAIL



POST CORNER DETAIL

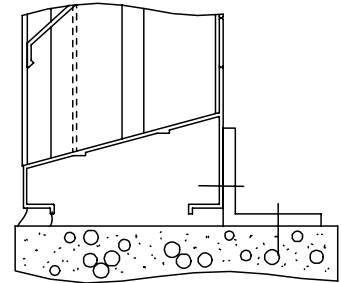
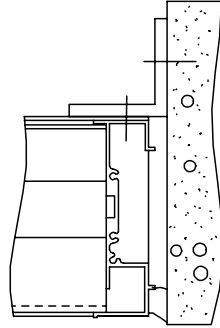
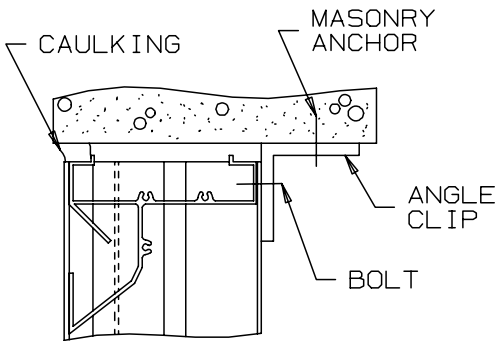
# TYPICAL LOUVER INSTALLATION METHODS - CHANNEL FRAME

## HEAD

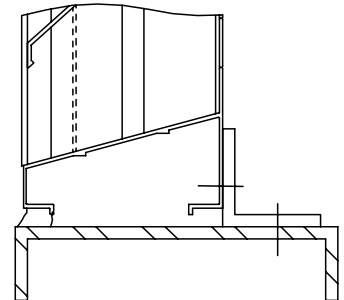
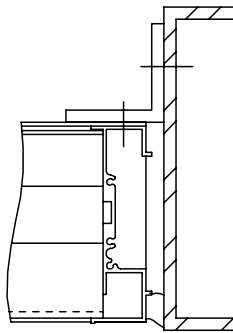
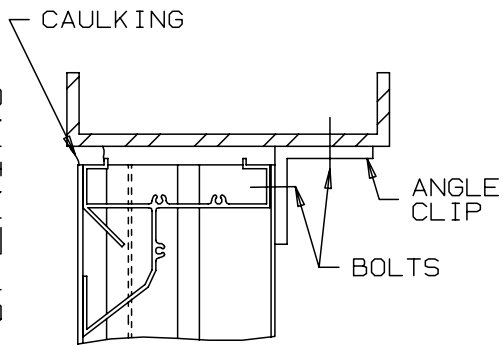
## JAMB

## SILL

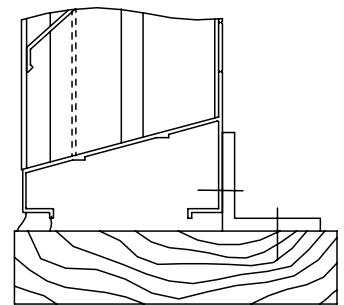
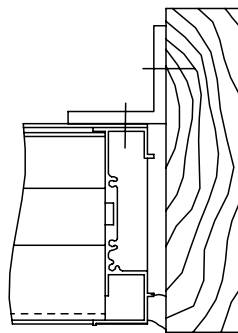
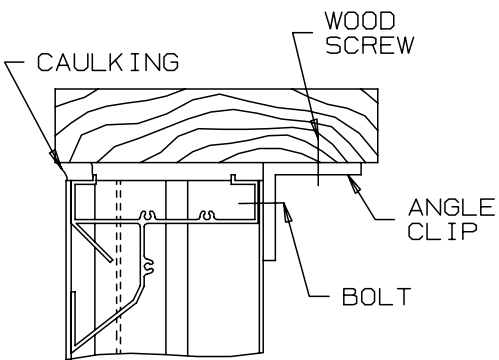
MASONRY  
OPENING



STEEL  
OPENING



WOOD  
OPENING



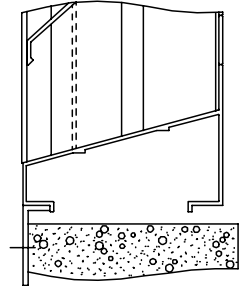
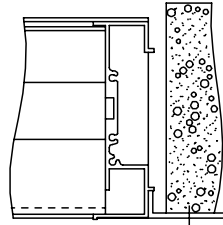
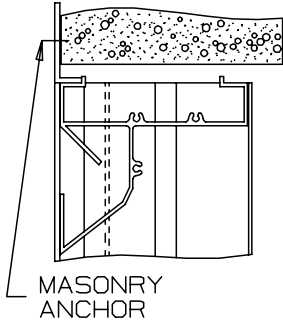
# TYPICAL LOUVER INSTALLATION METHOD - FLANGED FRAME

HEAD

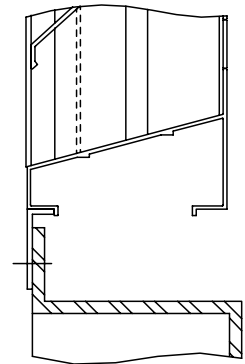
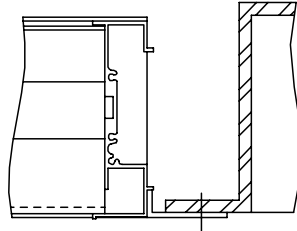
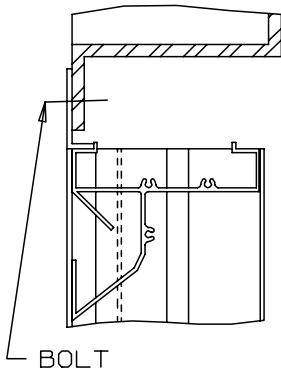
JAMB

SILL

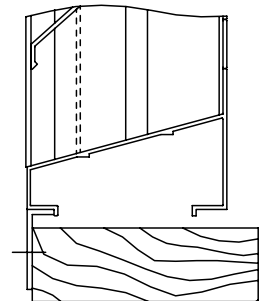
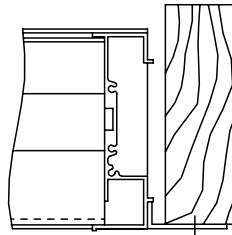
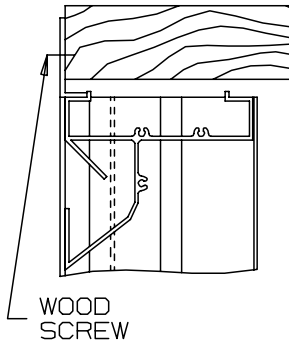
MASONRY  
OPENING



STEEL  
OPENING



WOOD  
OPENING



CORRUGATED  
OPENING

