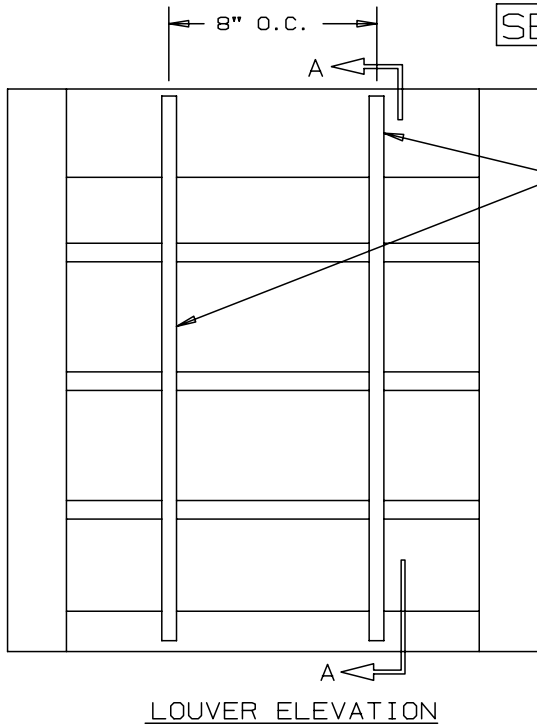


# AIR BALANCE, INC.

LOUVER  
ACCESSORIES

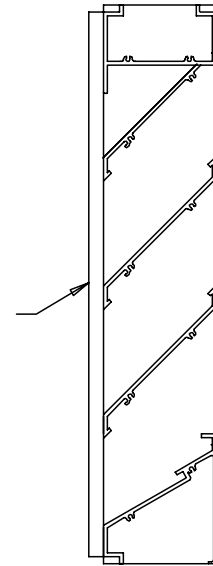
SECURITY BARS  
& FILTER RACKS

## SECURITY BARS



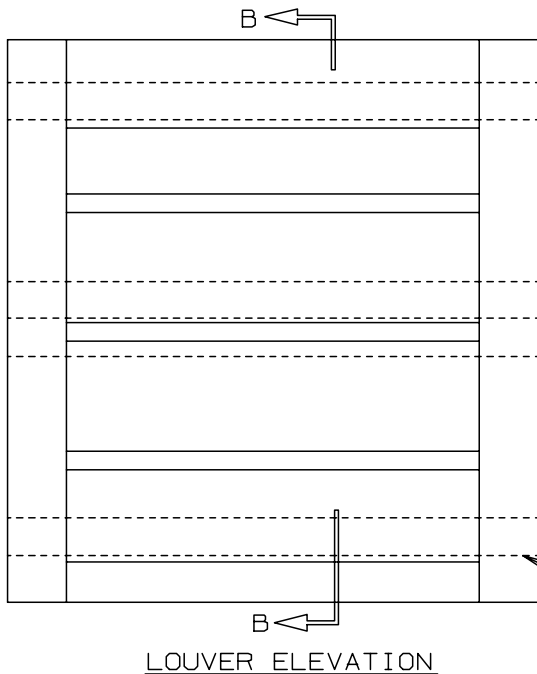
SECURITY BARS  
MTD. VERTICALLY  
(REF.) SHOWN ON  
EXTERIOR FACE. MAY  
ALSO BE LOCATED ON  
THE REAR LOUVER FACE

SECURITY BARS:  
ALUMINUM LOUVERS  
TO HAVE 5/8" x 5/8"  
SQ. ALUMINUM BARS.  
STEEL LOUVERS TO  
HAVE 1/2" x 1/2" SQ.  
CARBON STEEL BARS.  
SECURITY BARS TO  
BE SPACED 8" O.C.  
AND WELDED TO  
HEAD, SILL, AND  
BLADES OF LOUVER



SECTION A-A

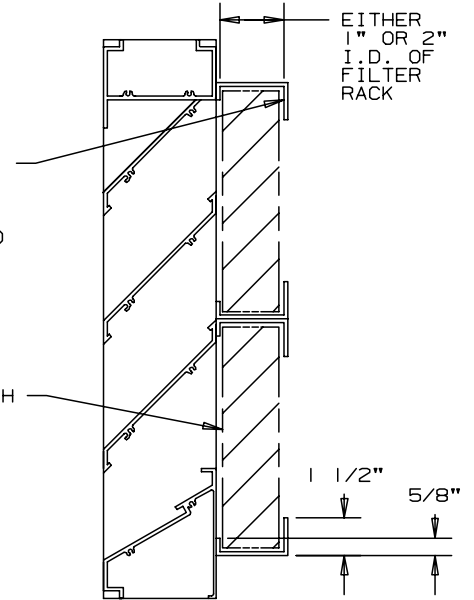
## FILTER RACKS



FILTER RACKS BY ABI,  
RACKS TO BE .060" THK.  
ALUMINUM ON ALL  
ALUMINUM LOUVERS AND  
16 GA. GALVANIZED STEEL  
ON ALL STEEL LOUVERS.  
FILTERS CAN BE SLID  
INTO RACKS FROM EITHER  
SIDE. FILTER RACKS TO  
BE MECHANICALLY FASTENED  
TO LOUVER FRAMES

FILTERS BY OTHERS,  
CUSTOMER TO PROVIDE  
FILTER SIZE AND DEPTH  
WHEN ORDERING FILTER  
RACKS

DOTTED LINES DENOTE  
FILTER RACKS MOUNTED  
ON REAR OF LOUVER



SECTION B-B



AIR BALANCE, INC.  
A Mestek Company

450 Riverside Drive  
Wyalusing, PA 18853

AGENT: \_\_\_\_\_

ARCH./ENG. :

CONTR. :

PROJECT :

EDR :

ECN :

JOB :

DATE :

DWN. :

DWG. :