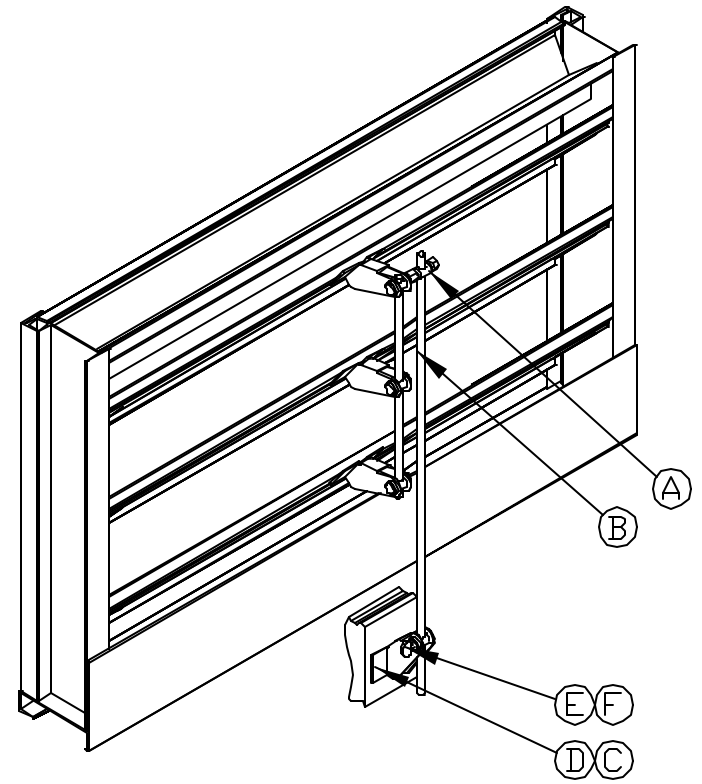


STANDARD SILL MOUNTED
WING NUT OPERATOR



OPTIONAL REMOTE MOUNTED
WING NUT OPERATOR

ITEM	PART DESCRIPTION	DRAWING NUMBER	QUANTITY PER	TOTAL
			# OF PANELS SINGLE	
A	5/16" DIA. SVIVEL	A21749	1	
B	5/16" DIA. PLATED STEEL CONNECTING ROD	-	1	
C	PLATED STEEL MOUNTING SCREWS (#8 x 3/4" LG)	-	2	
D	LINKAGE BRACKET	-	1	
E	BARREL	-	1	
F	WING NUT	-	1	

REVISION	DATE	CHK	APPD
abi. air balance, inc. A MESTEK COMPANY			
7301 INTERNATIONAL DRIVE		HOLLAND, OHIO	
Phone (418) 885-5000		Fax (418) 885-1373	
WING NUT OPERATOR FOR ADJUSTABLE LOUVER			
DRWBY	JMC	APPBY	
DATE	09/15/01	DWG. NO.	32923-STD
		REV.	

ORIGINATED FROM DWG. 800

1732821