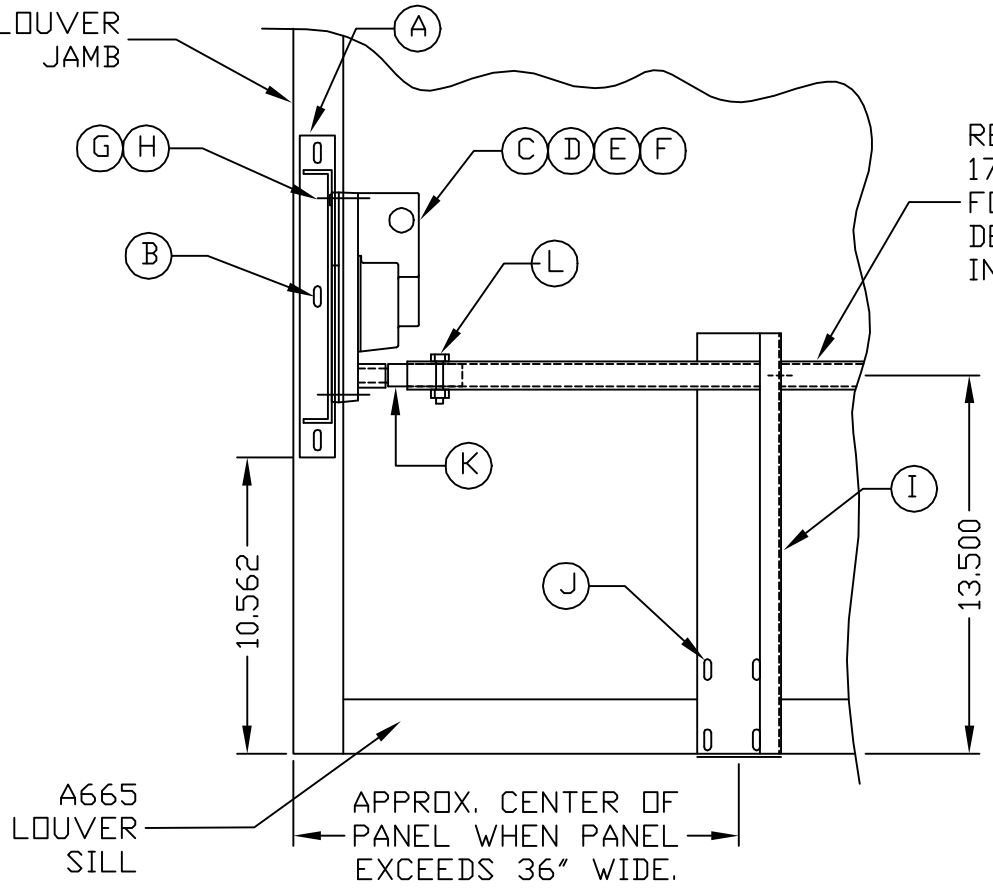



A665 LOUVER  
JAMB



REFERENCE DWG.S  
17730 AND 17730-1  
FOR JACKSHAFT  
DETAILS AND  
INSTALLATION.

SCHEDULE OF PARTS

ITEM	DESCRIPTION	DWG. NO.	QTY. PER ASSEMBLY	TOTAL QTY.
A	MOTOR / JACKSHAFT MOUNT	30459-STD	1	
B	MOUNTING SCREWS (#10 x 3/4" lg.)	-	3	
C	ML 4105A, 120VAC, PD/SC	B30023	1	
D	ML 4105B, 120VAC, SD/PC	B30023	1	
E	ML 8105A, 24VAC, PD/SC	B30023	1	
F	ML 8105B, 24VAC, SD/PC	B30023	1	
G	MOUNTING FASTENERS 1/4-20 x 3/4" HEX HEAD.	-	2	
H	MOUNTING FASTENERS 1/4-20 x 1-1/2" HEX HEAD.	-	2	
I	MID-SPAN JACKSHAFT SUPPORT	30416-STD	ONE FOR EACH PANEL > 36"	
J	SUPPORT FASTENERS (#10 x 3/4" lg.)	-	4	
K	ACTUATOR TO JACKSHAFT COUPLING	30471-STD	1	
L	1/4-20 x 1-1/2 lg. BOLT W/ NUT & LOCK WASHER	-	1	

DATE :	AWV PRDD. No. :	
PROJECT :		
CUSTOMER / ORDER No. :		
ARCH. / ENGR. :		
AGENT / ORDER No. :		
 <b>abi</b> air balance, inc. A MESTEK COMPANY 7301 INTERNATIONAL DRIVE HOLLAND, OHIO		
<b>JACKSHAFTED LE-66C WITH ML4105/ML8105 ACTUATOR</b>		
DRN. BY	DWG. NO.	REV.
ESS	30460-ABI	
DATE		
9-10-98		

AUTOCAD ST30460ABI