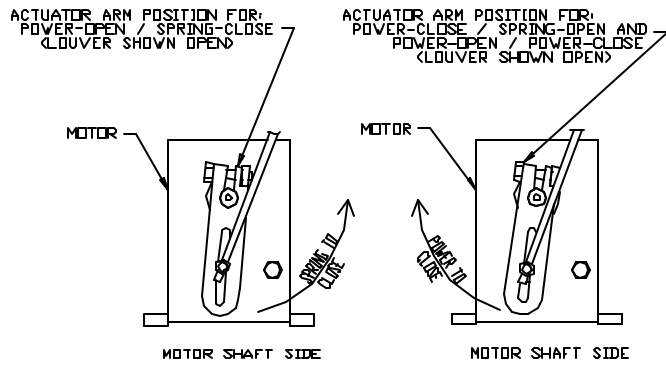


ITEM	PART DESCRIPTION	DRAWING NUMBER	QUANTITY PER PANEL	TOTAL QUANTITY
A	MOTOR MOUNT	29434-ABI	1	
B	PLATED STEEL ACTUATOR LEVER ARM TYPE 'BG'	18140-STD	1	
C	PLATED STEEL 5/16 SWIVEL	A21749	2	
D	5/16 DIA PLATED STEEL CONNECTING ROD	-	1	
E	MOUNTING SCREWS (#14 X 3/4 LG)	-	4	
F	MOUNTING FASTENERS 1/4-20 HEX HEAD	-	3	
G	ELECTRIC ACTUATOR	VARIES	1	



DATE :	ABI PROJ. No. :			
PROJECT :				
CUSTOMER / ORDER No. :				
ARCH. / ENGR. :				
AGENT / ORDER No. :				
abi air balance, inc. A MESTEK COMPANY 7301 INTERNATIONAL DRIVE HOLLAND, OHIO SINGLE PANEL A665 WITH ELECTRIC ACTUATOR				
DRN BY	ESS	DWG. NO.	29443-ABI	REV.
DATE	9-20-97			

29443