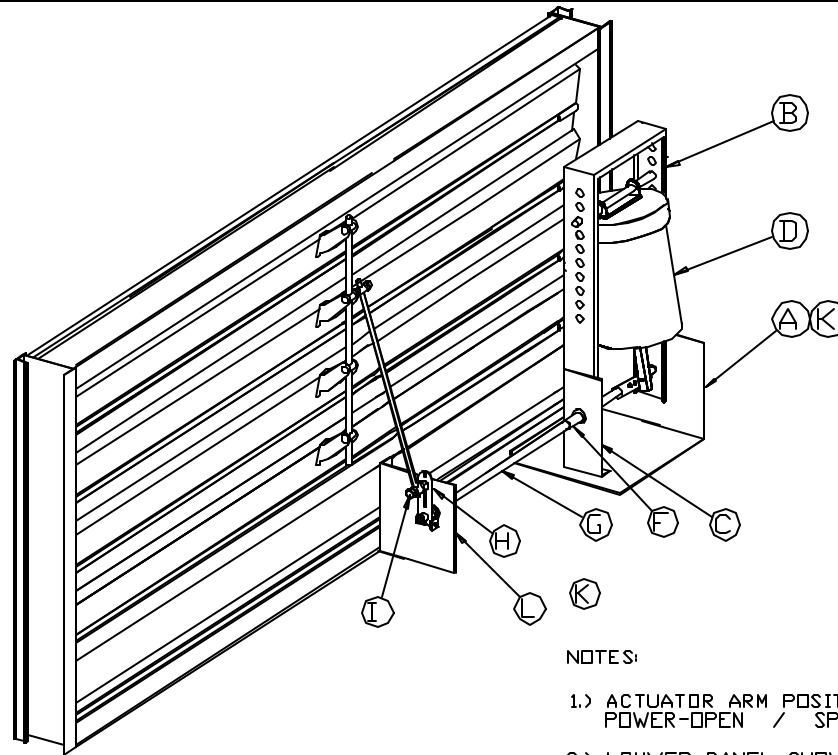


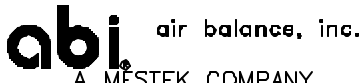
SECTION VIEW  
WITH PNEUMATIC



NOTES:

- 1.) ACTUATOR ARM POSITIONS FOR POWER-OPEN / SPRING-CLOSE.
- 2.) LOUVER PANEL SHOWN WITH SINGLE LINKAGE. IF DOUBLE LINKAGE IS REQUIRED, ADDITIONAL QUANTITIES OF ITEMS H, I & J WILL BE PROVIDED FOR EACH SET OF LINKAGE.
- 3.) ITEMS F, G AND L REQUIRED ON PANELS WIDER THAN 24" WIDE.

ITEM	PART DESCRIPTION	DRAWING NUMBER	QUANTITY FOR	TOTAL
A	MOTOR MOUNTING BRACKET (SHALLOW MOUNT)	22239-STD	1	
B	STRAP (STANDARD DUTY)	D21745	1	
C	MOTOR MOUNT JACKSHAFT STAND	22239-STD	1	
D	PNEUMATIC ACTUATOR (MODEL VARIES)	-	1	
E	PLATED STEEL LEVER ARM - TYPE ' F '	18140-STD	1	
F	COUPLING WITH SET SCREWS	22664-STD	1	
G	1/2" DIA. PLATED STEEL SHAFT	-	1	
H	PLATED STEEL LEVER ARM TYPE ' BG '	18140-STD	1	
I	PLATED STEEL 5/16 SWIVEL	A21749	2	
J	5/16 DIA PLATED STEEL CONNECTING ROD	-	1	
K	PLATED STEEL MOUNTING SCREWS (#14 X 3/4 LG.)	-	6	
L	SHAFT SUPPORT BRACKET	22239-STD	1	

DATE :	ABI PROJ. No. :			
PROJECT :				
CUSTOMER / ORDER No. :				
ARCH. / ENGR. :				
AGENT / ORDER No. :				
 A MESTEK COMPANY 7301 INTERNATIONAL DRIVE HOLLAND, OHIO				
SINGLE PANEL WITH PNEUMATIC ACTUATOR				
DRN BY	ESS	DWG NO.	22307-STD	REV.
DATE	7-7-97			