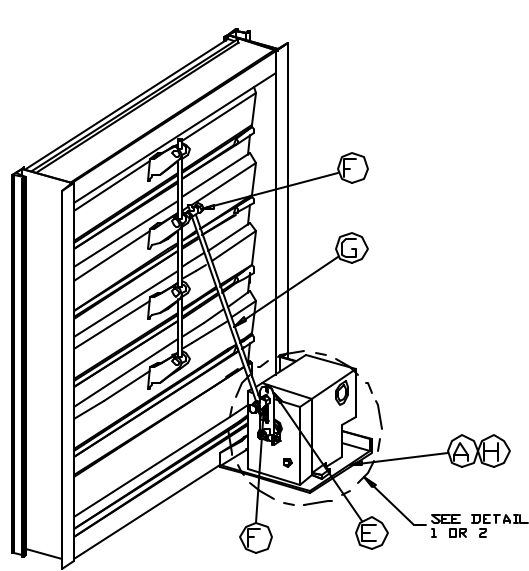
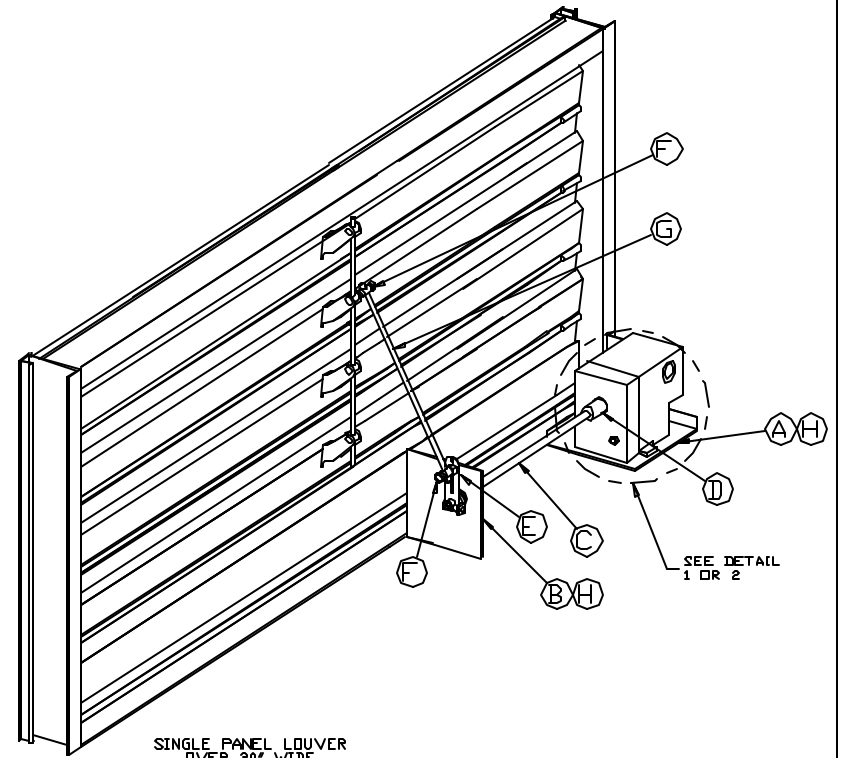


SECTION VIEW WITH ELECTRIC MOTOR



SINGLE PANEL LOUVER 30" WIDE OR LESS



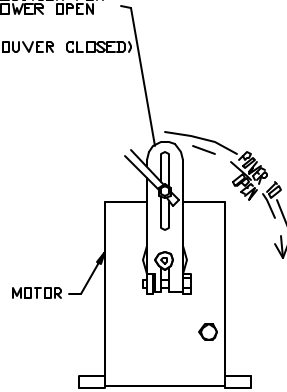
SINGLE PANEL LOUVER OVER 30" WIDE.

\* ALL LOUVER PANELS SHOWN ARE SINGLE LINKAGE. IF DOUBLE LINKAGE PER LOUVER PANEL IS REQUIRED ADDITIONAL QUANTITIES OF ITEMS E, F & G WILL BE PROVIDED FOR EACH SET OF LINKAGE.

ITEM	PART DESCRIPTION	DRAWING NUMBER	PANEL SIZE		TOTAL QUANTITY
			30" WIDE OR LESS	WIDER THAN 30"	
A	MOTOR MOUNT ASSEMBLY (SHALLOW MOUNT)	22239-STD	1	1	
B	SHAFT SUPPORT BRACKET	22239-STD	-	1	
C	1/2" DIA. PLATED STEEL SHAFT	-	-	1	
D	COUPLING WITH SET SCREWS	22864-STD	-	1	
E	PLATED STEEL ACTUATOR LEVER ARM TYPE 'BG'	18140-STD	1	1	
F	PLATED STEEL 5/16 SWIVEL	AE1749	2	2	
G	5/16 DIA. PLATED STEEL CONNECTING ROD	-	1	1	
H	PLATED STEEL MOUNTING SCREWS (#14 X 3/4 LG)	-	4	6	

ACTUATOR ARM POSITION FOR POWER OPEN

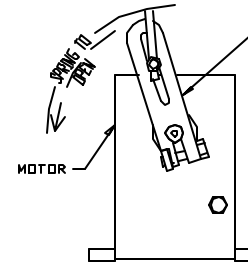
(LOUVER CLOSED)



MOTOR SHAFT SIDE

DETAIL 1

ACTUATOR ARM POSITION FOR POWER-CLOSE SPRING-OPEN AND POWER-OPEN POWER-CLOSE



MOTOR SHAFT SIDE

DETAIL 2

DATE :	ABI PROD. No. :		
PROJECT :			
CUSTOMER / ORDER No. :			
ARCH. / ENGR. :			
AGENT / ORDER No. :			
<b>abi</b> air balance, Inc. A MESTEK COMPANY			
7301 INTERNATIONAL DRIVE HOLLAND, OHIO			
SINGLE PANEL WITH ELECTRIC ACTUATOR			
DRN BY	ESS	DWG NO.	REV.
DATE	6-25-97	22245-ABI	A

1/2" DIA.