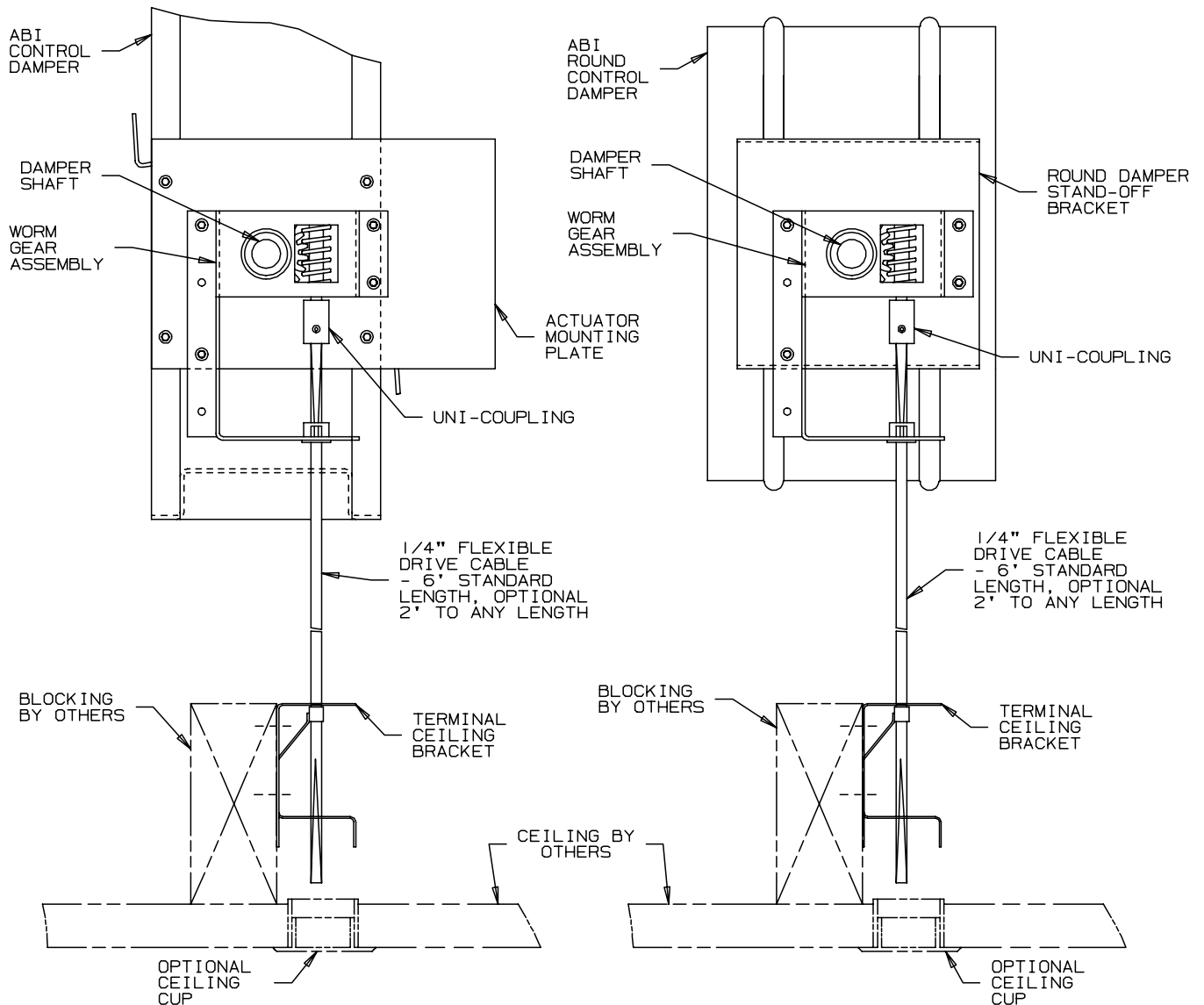


AIR BALANCE INC.  
MOUNTING DETAILS  
REMOTE CABLE OPERATOR

MODEL  
C072



THE ABI MODEL C072 CABLE OPERATOR OFFERS A LOW COST SOLUTION FOR BALANCING BRANCH DUCTS AND TAKEOFFS WITHOUT REQUIRING ACCESS ABOVE THE HARD CEILING THROUGH THE USE OF ACCESS DOORS, OR REMOVAL OF CEILING PANELS. THE ACTUATION CABLE IS OPERATED WITH A 1/4" HEX NUT DRIVER FROM A REMOTE ACCESS POINT IN EITHER THE CEILING OR WALL. THE ACCESS POINTS ARE COVERED WITH EITHER THE CEILING CUP OR TERMINATION FIXTURE TO CONCEAL THE SURFACE TERMINATION. THESE TERMINATION POINTS REDUCE OR COMPLETELY ELIMINATE THE NEED FOR LIFTS AND ADDITIONAL EQUIPMENT, PROVIDING SAFE AND EASY ACCESS WITHOUT THE NEED TO PROVIDE ACCESS ABOVE THE HARD CEILING.

- THE WORM AND WORM GEAR HAVE 20:1 GEAR RATIO AND PROVIDE 2:1 MECHANICAL ADVANTAGE.
- THE PRE-ASSEMBLED DRIVE SYSTEM MINIMIZES LABOR DEMANDS AT THE JOBSITE.
- OPTIMAL FOR DOCTORS OFFICES, MEDICAL SCHOOLS, AND OTHER LOCATIONS WITH HARD CEILINGS.
- ELIMINATES UNSIGHTLY ACCESS PANELS AND DOORS.
- OPERATES A DAMPER OF 4 SQUARE FEET MAXIMUM
- SUPPLIED WITH A STANDARD CABLE LENGTH OF 6' WITH OPTIONAL LENGTHS IN 2' INCREMENTS



AIR BALANCE, INC.

A Mestek Company  
450 Riverside Drive  
Wyalusing, PA 18853

TEL: (570) 746-1888 FAX: (570) 746-9286  
WEB ADDRESS: WWW.AIRBALANCE.COM

AGENT: \_\_\_\_\_

MODEL C072  
CABLE OPERATOR  
ASSEMBLY