

# MODEL BS51/BS52/BS53

7½" Deep • Round • Galvanized Steel, Aluminum, or Stainless Steel Backdraft Damper

## STANDARD MATERIALS AND CONSTRUCTION

### BS51 - Galvanized Steel

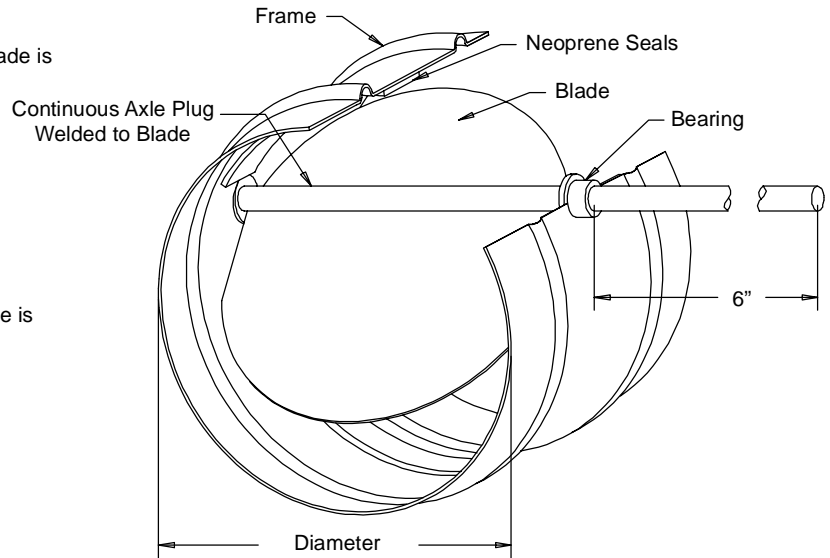
- FRAME:** 16-GA galvanized steel, 7½" deep
- BLADE:** 16-GA galvanized steel, dampers > 18" dia. blade is reinforced
- AXLE:** Continuous ½" dia. cadmium plated steel
- BEARINGS:** Flange bronze oilite
- SEALS:** On frame, closed cell neoprene, ¼" thick; Temperature Range -35°F to 180°F
- FINISH:** Mill

### BS52 - Aluminum

- FRAME:** .080" thick aluminum, 7½" deep
- BLADE:** .080" thick aluminum; Dampers > 18" dia. blade is reinforced
- AXLE:** Continuous ½" dia. aluminum
- BEARINGS:** Flange bronze oilite
- SEALS:** On frame, closed cell neoprene, ¼" thick; Temperature Range -35°F to 180°F
- FINISH:** Mill

### BS53 - Stainless Steel

- FRAME:** 16-GA stainless steel, 7½" deep
- BLADE:** 16-GA stainless steel, dampers > 20" dia. blade is reinforced
- AXLE:** Continuous ½" dia. stainless steel
- BEARINGS:** Flange bronze oilite
- SEALS:** On frame, closed cell neoprene, ¼" thick; Temperature Range -35°F to 180°F
- FINISH:** No 2B type 304 stainless steel

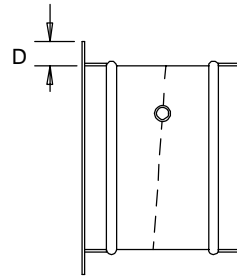


## OPTIONS

- Flanged Frame
- Counter Balance Assist or Resist

## NOTES

1. Dampers are provided ⅛" undercut.
2. Counter balance is available mounted to the blade or installed on the shaft extended from damper. Damper sizes 12" diameter and less shall have a counter balance located on an extended shaft only.
3. Approximate shipping weight (lbs) can be calculated by multiplying the circumference (dia. x 3.141) by 0.5 for aluminum and steel; 0.3 for stainless steel.



Optional Flange Frame  
 Equal leg angles are available.  
 They are welded to frames at intermittent spacing and caulked between welds.  
 Flange height "D" varies with damper diameter.

## DAMPER SIZES

Panels	Min Panel	Max Panel
BS51	4" dia.	36" dia
BS52	4" dia.	36" dia
BS53	4" dia.	36" dia

air balance

Dampers  Louvers  
 UL Life Safety Products  
 Division of Mestek  
 Member of AMCA

# MODEL BS51/BS52/BS53

7½" Deep • Round • Galvanized Steel, Aluminum, or Stainless Steel Backdraft Damper

This page is intentionally left blank.

air balance

Dampers  Louvers  
UL Life Safety Products  
Division of Mestek  
Member of AMCA