

**INSTALLATION NOTES**

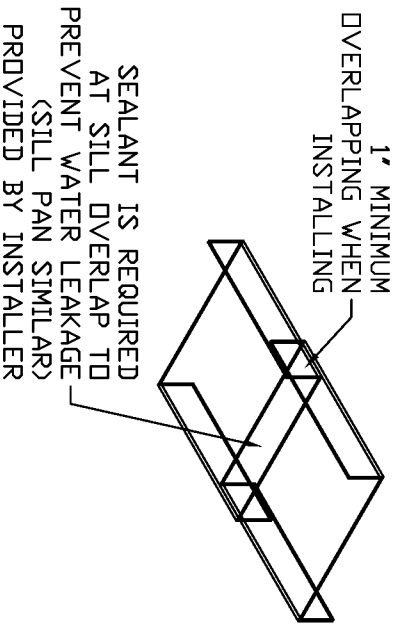
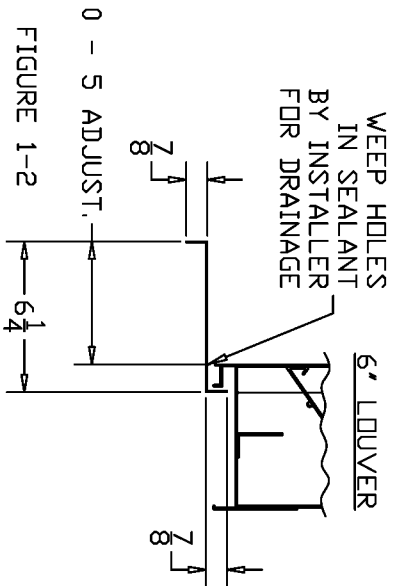
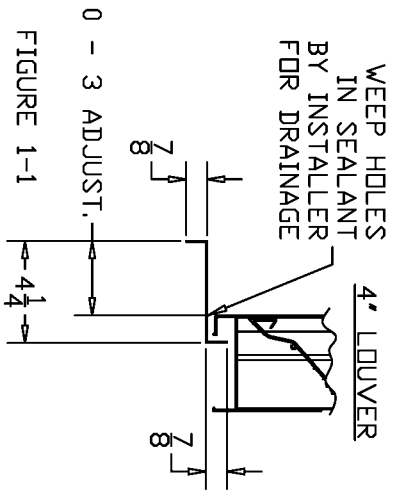
1. ALL MOUNTING FASTENERS TO OPENINGS, SEALANT, SHIMS, MASONRY ANCHORS, ETC. ARE NOT SUPPLIED OR INSTALLED BY LOUVER MFGR.
2. CLIP ANGLES, MOUNTING PLATES, FASTENERS TO LOUVERS, AND STRUCTURAL SUPPORTS CAN ONLY BE PROVIDED AT AN ADDITIONAL COST. PLEASE CONSULT FACTORY FOR PRICING.
3. RECOMMENDED MOUNTING FOR DEEP WALL OPENINGS: AS A MINIMUM USE 1-1/2" x 1-1/2" x 1/8" CONTINUOUS PLATE OR CLIP ANGLES ON INSIDE PERIMETER OF LOUVER FRAME WITH 1/4" DIAMETER FASTENERS ON MAX. 18" CENTERS. THE LOCATION OF 1/4" DIAMETER MOUNTING ANCHOR BOLTS SHOULD BE SUCH AS TO GIVE A MINIMUM OF 2 BOLTS ON A SIDE.
3. RECOMMENDED MOUNTING FOR NARROW WALL OPENINGS: AS A MINIMUM USE 1/8" x 1-1/2" x 3 MOUNTING PLATES OR CONTINUOUS PLATE ON INSIDE PERIMETER OF LOUVER FRAME WITH 1/4" DIAMETER FASTENERS ON MAX. 18" CENTERS. THE LOCATION OF 1/4" DIAMETER MOUNTING BOLTS SHOULD BE SUCH AS TO GIVE A MINIMUM OF 2 BOLTS ON A SIDE.
5. WIDTH AND HEIGHT DIMENSIONS ARE OPENING SIZES. LOUVERS ARE MADE UNDERSIZED, TYPICAL 1/4" AROUND PERIMETER OF LOUVER FRAME. LOUVERS WITH LARGER UNDERSIZING CAN BE SUPPLIED UPON REQUEST.
6. THESE ARE GENERAL MOUNTING ARRANGEMENTS FOR LOUVER WALL OPENINGS. VIEWS SHOWN SHOULD COVER MOST MOUNTING SITUATIONS ENCOUNTERED. LARGE MULTIPLE WIDE AND/OR HIGH LOUVER PANEL ASSEMBLIES REQUIRE STRUCTURAL SUPPORT ON INTERIOR OF LOUVER PANELS, WHICH CAN BE PROVIDED AT AN ADDITIONAL COST.
7. REFERENCE DRAWING NO. 22465 AND 22466 FOR LOUVER MULLION INSTALLATION INSTRUCTIONS AS REQUIRED.
8. BECAUSE LOCAL BUILDING CODES AND INSTALLATION STANDARDS MAY VARY FROM OUR RECOMMENDED MINIMUMS, WE RECOMMEND THAT THEY BE USED OVER OURS WHEN AND WHERE REQUIRED.
9. LOUVERS ARE NOT TO BE LIFTED OR RIGGED USING LOUVER BLADES OR HOLES PRESENT OR PLACED IN THE LOUVER FRAME.

B	ADDED	NOTE 9	7-2008	ML
A	UPDATED		12-2004	JMC
	REVISION		DATE	BY

**abi.** air balance  
 A MESTEK COMPANY  
 7435 INDUSTRIAL RD.  
 FLORENCE, KY  
 Phone (419) 865-5000 Fax (419) 865-1375

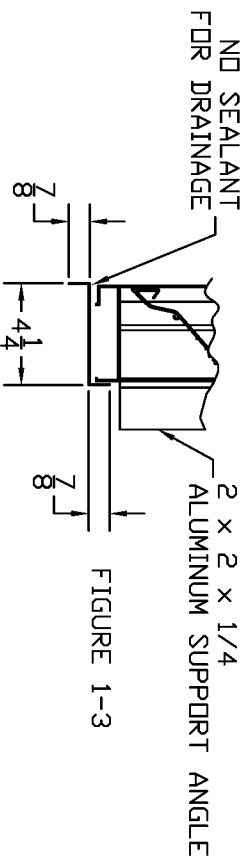
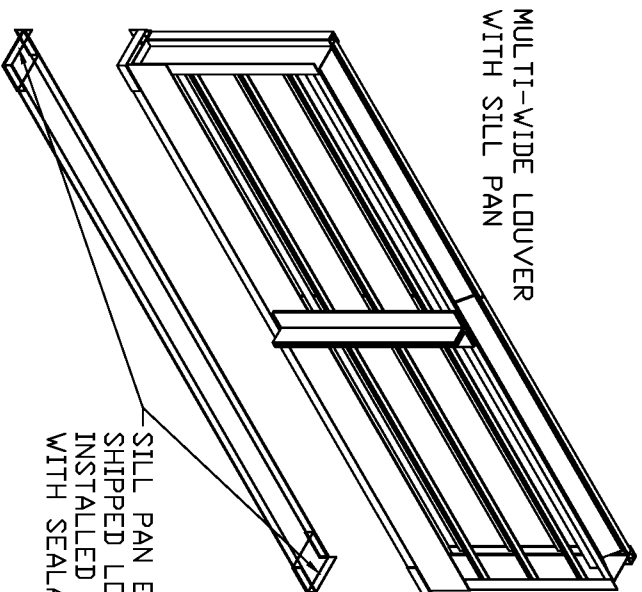
STANDARD		REV. 1
INSTALLATION		900
METHODS		B
DATE	BY	DATE
09/30/96	J.W.	09/30/96

# INSTALLATION METHODS



## SILL EXTENSIONS

- STANDARDS & INSTALLATION NOTES
- SILL EXTENSIONS ARE SUPPLIED IN STANDARD LENGTHS & DEPTHS
- SILL PANS ARE A STANDARD IN MULTI-WIDE LOUVER ASSEMBLIES THAT HAVE AN ARCHITECTURAL MULLION. THE PROVISION OF SILL PANS WITH OTHER LOUVERS IS OPTIONAL. SILL PANS CAN BE FORMED IN VARIOUS LENGTHS & DEPTHS TO SUIT CUSTOMER NEEDS.
- SILL EXTENSIONS & PAN SILLS FOR MULTI-WIDE LOUVER ASSEMBLIES ARE PROVIDED IN TYPICAL LENGTHS UP TO 96" (8'-0").



## SILL PANS

- BOTH SILL EXTENSIONS & SILL PANS ARE FINISHED TO MATCH THE TYPE OF FINISH & COLOR PROVIDED ON THE LOUVER ASSEMBLY.
- SILL EXTENSIONS ARE ADJUSTABLE TO THE EXTERIOR SIDE OF THE LOUVER. PROVISION OF ADDITIONAL DEPTH IS OPTIONAL. (SEE FIGURES 1-1 & 1-2).
- SILL EXTENSIONS & SILL PANS ARE PROVIDED IN 0.025" THICK ALUMINUM OR 20 GA. GALVANIZED STEEL. PROVISION OF ADDITIONAL MATERIAL THICKNESS IS OPTIONAL.

REVISED	DATE	BY	CHK
REVISION	DATE	BY	CHK
<p><b>abi.</b> of balance A MESTEK COMPANY</p> <p>7435 INDUSTRIAL RD. FLORENCE, KY Phone (419) 865-5000 Fax (419) 865-1375</p> <p>STD. INSTAL. METHODS FOR SILL EXTENSIONS &amp; SILL PANS</p>			
DATE	BY	DATE	BY
10/01/96	BLV	10/01/96	BLV
900-1			A