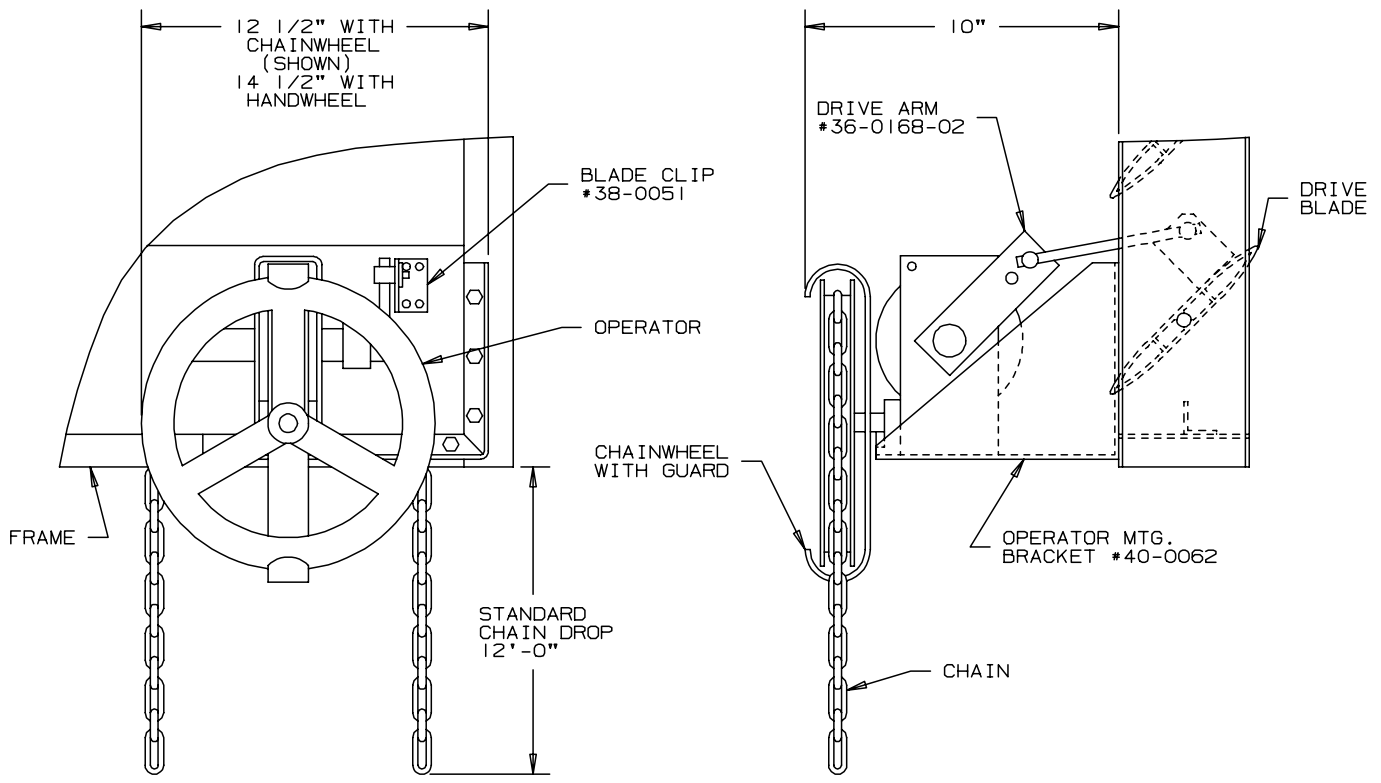


TYPICAL EXTERNAL MOUNTING ARRANGEMENT



TYPICAL INTERNAL MOUNTING ARRANGEMENT

NOTE: OPERATORS ARE AVAILABLE WITH EITHER CHAINWHEEL OR 12" DIAMETER HANDWHEEL.
 PLEASE CONSULT FACTORY FOR OTHER MOUNTING CONDITIONS.
 DIMENSIONS SHOWN ABOVE ARE APPROXIMATE.

abi
 air balance inc.

AIR BALANCE, INC.
 A Mestek Company

450 Riverside Drive
 Wyalusing, PA 18853

AGENT: _____

TYPICAL
 INSTALLATION
 MODEL O-81 GEAR
 OPERATOR 24:1