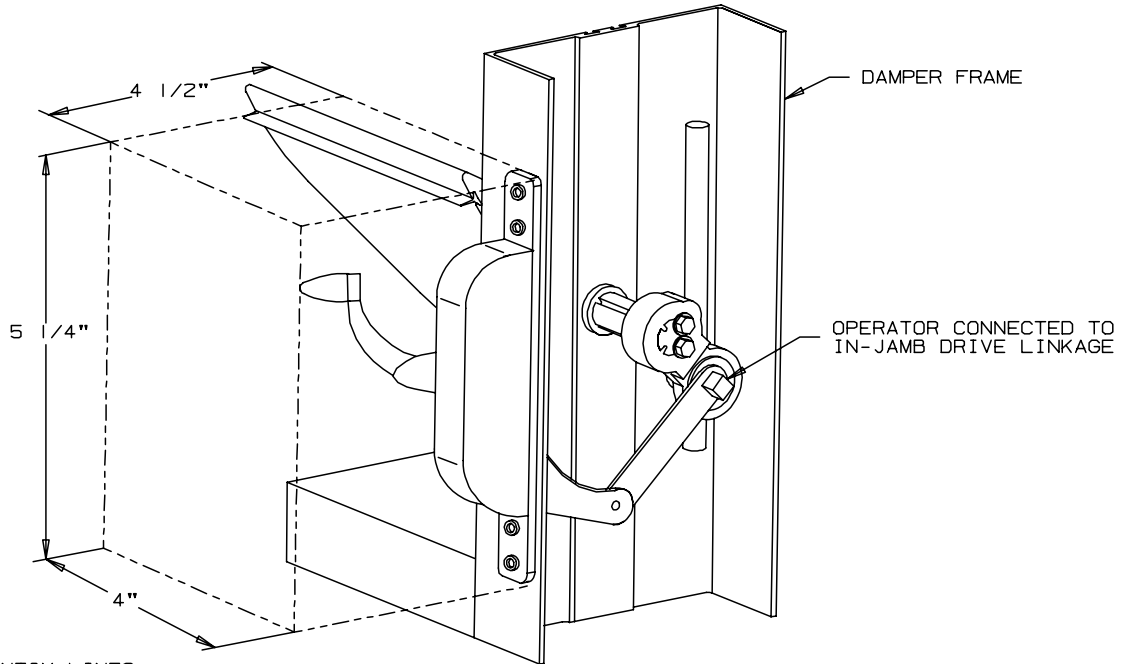


AIR BALANCE, INC. TYPE

MOUNTING DETAILS: 0-24 & 0-25

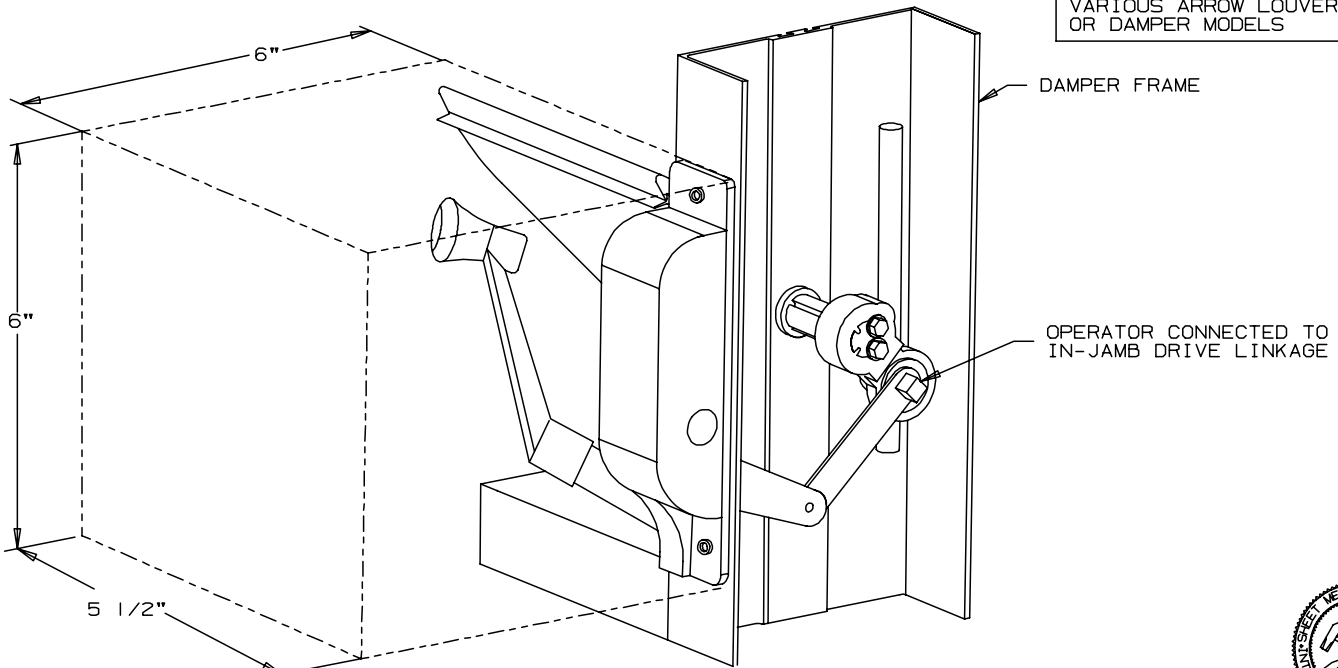
HAND CRANK OPERATORS



PHANTOM LINES DENOTE ENVELOPE AREA REQUIRED FOR OPERATOR CLEARANCE

0-24 HAND CRANK OPERATOR
FOR UNITS UP TO 10 SQ. FT.

NOTE: POSITION OF OPERATOR MAY VARY SLIGHTLY ACCORDING TO CONSTRUCTION FOR VARIOUS ARROW LOUVER OR DAMPER MODELS



0-25 HAND CRANK OPERATOR
FOR UNITS UP TO 32 SQ. FT.



AIR BALANCE, INC.
A Mestek Company

450 Riverside Drive
Wyalusing, PA 18853

AGENT: _____

ARCH./ENG. :		
CONTR. :		
PROJECT :		
EDR :	ECN :	JOB :
DATE :	DWN. :	DWG. :